



Waterco exports to over 40 countries via branches operating in Australia, New Zealand, Malaysia, China, the United Kingdom, United States of America, Canada and Indonesia as well as through international distributors. Waterco equipment is proven throughout the world in both commercial swimming pool and water treatment applications.

Jamberoo Action Park – NSW, Australia



Ammonia removal plant - West Sussex, United Kingdom



Melbourne Zoo's Elephant Pool – Victoria, Australia



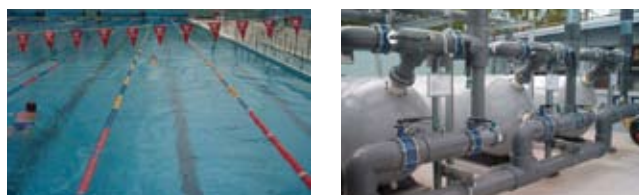
Holsworthy – New South Wales, Australia



Breach Candy Club, Mumbai, India



Fitzroy Swimming Pool – Victoria, Australia



# Waterco Commercial Fibreglass Filters



Designed and built for high performance and reliability



Waterco commercial fibreglass filters are known throughout the industry for their impressive performance and reliability. Manufactured from the highest grade of non corrosive materials and employing the latest in fibreglass winding technology, Waterco fibreglass filters are designed and built for many years of trouble free operation.

- Top Mount, Side Mount and Horizontal configurations.
- UV and corrosion resistant
- Hydraulically balanced lateral configurations
- Pressure rated at 250 kPa, 400 kPa and 600 kPa
- Optional sight glasses and lateral man holes

**OFFICES - AUSTRALIA**  
 NSW - Sydney (Head Office)  
 Tel: +61 2 9898 8600  
 QLD - Brisbane  
 Tel: +61 7 3299 9900  
 VIC/TAS - Melbourne  
 Tel: +61 3 9764 1211  
 WA - Perth  
 Tel: +61 8 9273 1900  
 SA/NT - Adelaide  
 Tel: +61 8 8244 6000  
 ACT Distribution  
 Tel: +61 2 6280 6476

**OFFICES - OVERSEAS**  
 Waterco (Europe) Limited  
 Radfield, Kent, UK  
 Tel: +44 (0) 1795 521 733  
 Waterco (USA) Inc  
 Augusta, USA  
 Tel: +1 706 793 7291  
 Waterco Canada  
 Quebec, Canada  
 Tel: +1 450 796 1421  
 Waterco (NZ) Limited  
 Auckland, New Zealand  
 Tel: +64 9 525 7570

Waterco (GZ) Limited  
 Guangzhou, China  
 Tel: +86 20 3222 2180  
 Waterco (Far East) Sdn Bhd  
 Selangor, Malaysia  
 Tel: +60 3 6145 6000  
 PT Waterco Indonesia  
 Jakarta, Indonesia  
 Tel: +62 21 4585 1481

DISTRIBUTED BY:



ZZB1061 03/07

**WATERCO**  
 Water, the liquid of life

[www.waterco.com](http://www.waterco.com)

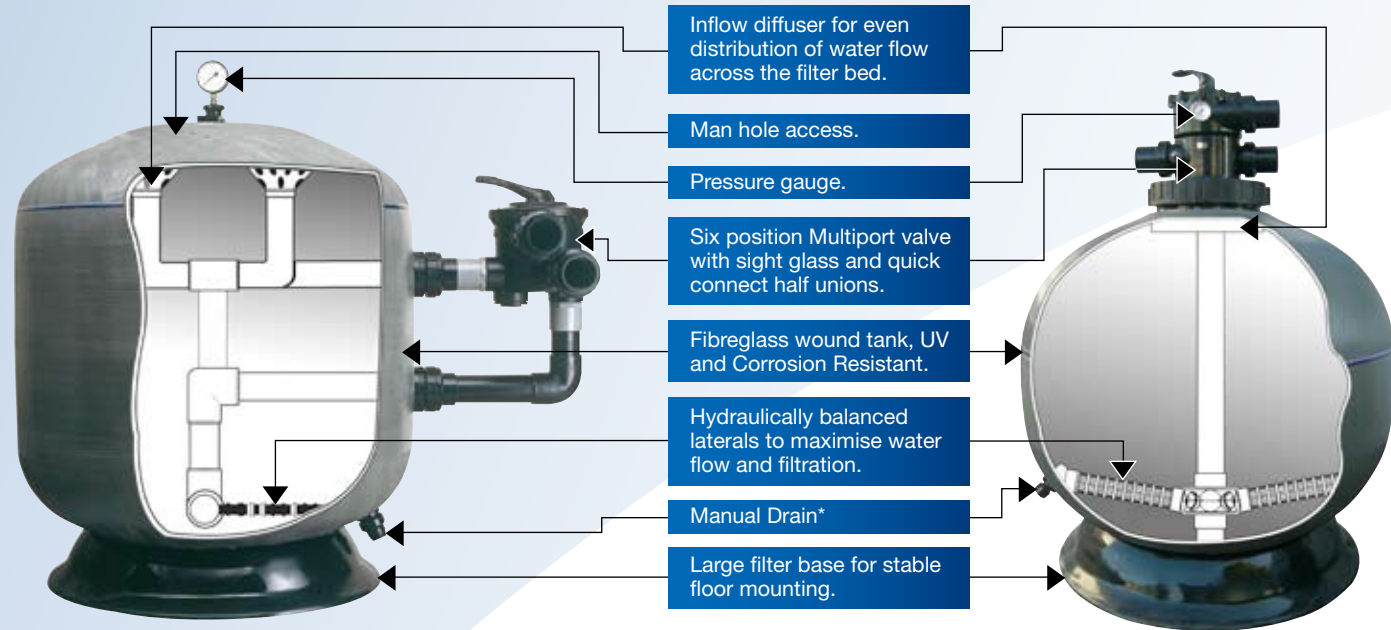


## Waterco Fibreglass Wound Filters

Waterco fibreglass filters embody the latest in fibreglass winding technology. Waterco fibreglass vessels consist of an inner shell of fibreglass reinforced polyester resin over wound with fibreglass filament. Waterco's digitally controlled filament winding machine faultlessly winds continuous strands of fibreglass filament to create a filter vessel with refined consistency and superior quality.



## Waterco Micron Top and Sidemount Fibreglass Filters



- Inflow diffuser for even distribution of water flow across the filter bed.
- Man hole access.
- Pressure gauge.
- Six position Multiport valve with sight glass and quick connect half unions.
- Fibreglass wound tank, UV and Corrosion Resistant.
- Hydraulically balanced laterals to maximise water flow and filtration.
- Manual Drain\*
- Large filter base for stable floor mounting.

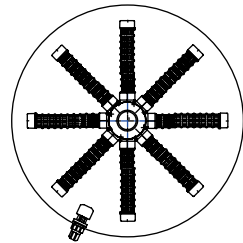
Waterco Sidemount Fibreglass

Micron Top Mount Filters  
\* Optional manual drain

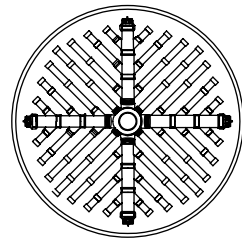
- Working pressure 250 kPa (36 psi)
- Extra reinforcement to increase the working pressure rating to 400 kPa (58 psi) and 600 kPa (87psi) is available on request.
- Maximum working temperature of 50°C (122°F)
- Fibreglass reinforced vinyl ester vessels for ozone applications are available on request.
- Waterco fish tail laterals are fitted to filters with 65mm and above connections.

## Waterco "Fish Tail" laterals

Conventional laterals are not suitable for larger sized commercial filters. "Dead legs" exist between the laterals and water flow is not optimised through the filter bed. Waterco's "Fish Tail" lateral configuration eliminates any "dead legs" by improving water flow distribution through the filter bed.



Conventional lateral configuration



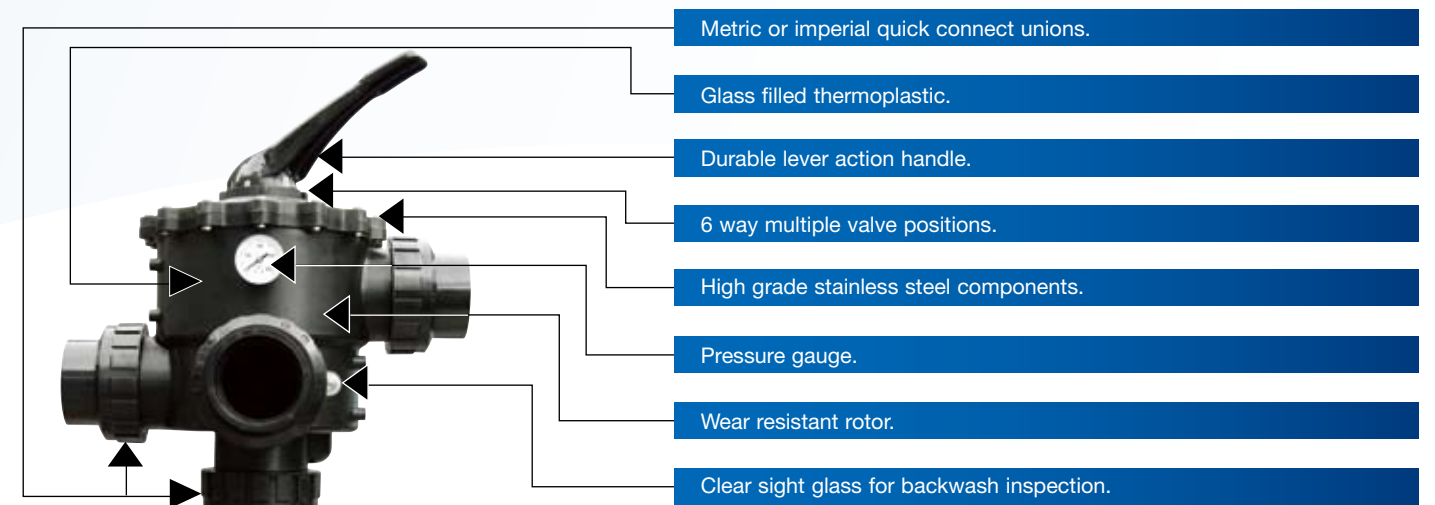
Commercial Lateral configuration

## Micron Top Mount Specifications

Filter Model	Valve Size	Valve Size	Filter Area	Bed Depth	Commercial	Commercial	Media Volume	Sand	ZeoPlus
	mm	Inch	m <sup>2</sup>	mm	36m <sup>3</sup> /hr/m <sup>2</sup>	36m <sup>3</sup> /hr/m <sup>2</sup>	litres	16/30	1 - 2.2
	mm	Inch	m <sup>2</sup>	mm	lpm	m <sup>3</sup> /hr	litres	kg	kg
S1050	65	2.5	0.87	490	520	31.2	457	670	500
S1200	65	2.5	1.13	515	679	40.7	616	900	680
S1200	80	3.0	1.13	515	679	40.7	637	930	700
S1200	80	3.0	1.13	630	679	40.7	824	1200	910
S1400	80	3.0	1.54	670	924	55.4	1157	1690	1270

## Waterco Multiport Valves

Constructed from heavy duty ABS and GFPP, Waterco Multiport valves are designed for maximum performance and working pressures. Waterco's entire range of Multiport valves are engineered to withstand a working pressure of up to 400 kPa (58 psi) with a test pressure of 600 kPa (87 psi).



- Metric or imperial quick connect unions.
- Glass filled thermoplastic.
- Durable lever action handle.
- 6 way multiple valve positions.
- High grade stainless steel components.
- Pressure gauge.
- Wear resistant rotor.
- Clear sight glass for backwash inspection.

Waterco MPV's are available 40mm (1/2"), 50mm (2"), 65mm (2 1/2"), 80mm (3") & 100mm (4").

For more information, please contact Waterco.

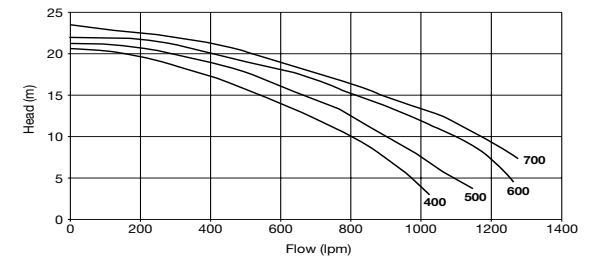
## Waterco Commercial Pumps

Waterco commercial pumps incorporate the latest technology in design and construction to produce a high performance, energy saving pump ideal for any situation that demands maximum output.

### Hydrostar Pump



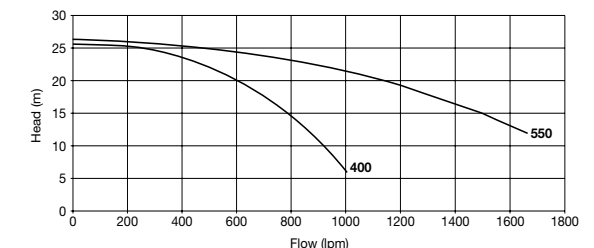
Hydrostar MKIII pumps efficiently deliver high flow rates and incorporate an innovative quarter lid & lock ring assembly for easy maintenance.



### Hydrosteel Pump



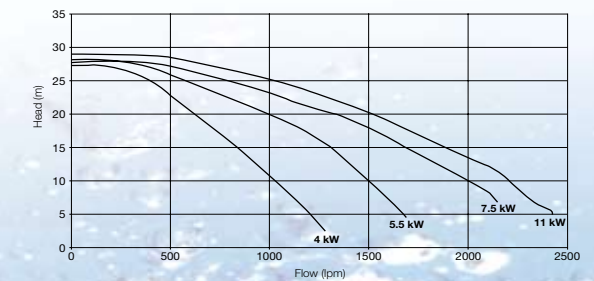
Hydrosteel pumps are the first hybrid of its kind; the pre-strainer is constructed from glass filled thermoplastic, while its impeller and volute are constructed from 316 grade stainless steel.



### Cast Iron Pump



The Waterco's Cast Iron Pump is a high performance, self-priming cast iron pump..



## Micron Side Mount Deep Bed Filters

Micron Side Mount Deep Bed Filters are designed with filter bed depths of 1000mm (SMD) to 1200mm (SMDD) providing enhanced in-depth filtration and increased dirt capacity. Combining filter housings and various filter media, Micron Side Mount Deep Bed Filters can be fitted in configurations to provide multi-stage comprehensive water conditioning.



SMDD 2500 with sight glass

SMDD 1200 with lateral manhole

## Side Mount Deep Bed Optional Extras

Waterco Micron Side Mount Deep Bed Commercial filters are now available with the option of:

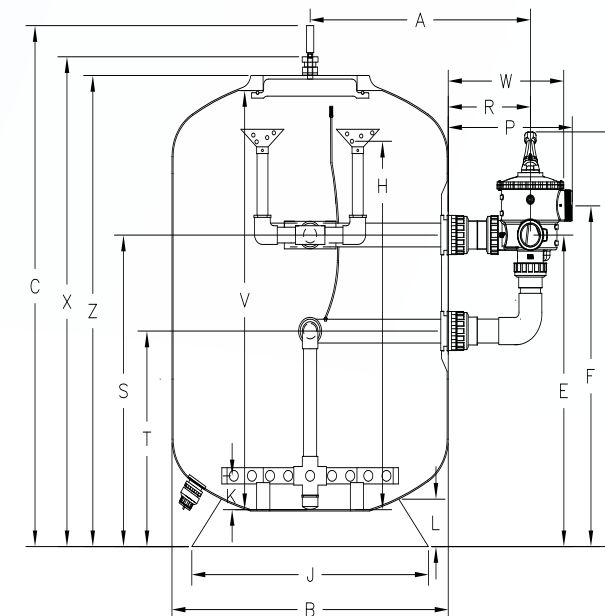
1. 50mm, 80mm or 100mm sight glasses. (Photo 1)
2. 300mm to 420mm x 320mm lateral manholes. (Photo 2)
3. Fibreglass reinforced vinyl ester for improved resistance to ozone.
4. Extra reinforcement to increase the working pressure rating from 250 kPa (36 psi) to 400 kPa (58 psi) and 600 kPa (87 psi)\*.

\* 600 kPa (87 psi) is only applicable to SMD and SMDD 1050 filters and above.



(Photo 1)

(Photo 2)



## Micron SMD Specifications

Filter Model	Valve Size	Valve Size	Filter Area	Bed Depth	Commercial 36m <sup>3</sup> /hr/m <sup>2</sup>	Commercial 36m <sup>3</sup> /hr/m <sup>2</sup>	Media Volume	Sand 16/30	ZeoPlus 1 - 2.2
	mm	Inch	m <sup>2</sup>	mm	lpm	m <sup>3</sup> /hr	litres	kg	kg
SMD1050	65	2.5	0.87	1000	520	31.2	980	1430	1077
SMD1050	80	3.0	0.87	1000	520	31.2	980	1430	1077
SMD1200	65	2.5	1.13	1000	679	40.7	1186	1731	1304
SMD1200	80	3.0	1.13	1000	679	40.7	1186	1731	1304
SMD1200	100	4.0	1.13	1000	679	40.7	1220	1781	1342
SMD1400	80	3.0	1.54	1000	924	55.4	1742	2543	1916
SMD1400	100	4.0	1.54	1000	924	55.4	1665	2431	1832
SMD1600	80	3.0	2.01	1000	1080	64.8	2151	3140	2366
SMD1600	100	4.0	2.01	1000	1206	72.4	2100	3067	2311
SMD1800	100	4.0	2.54	1000	1527	91.6	2972	4339	3269
SMD1800	150	6.0	2.54	1000	1527	91.6	2972	4339	3269
SMD2000	100	4.0	3.14	1000	1885	113.1	3616	5279	3977
SMD2000	150	6.0	3.14	1000	1885	113.1	3616	5279	3977

## Micron SMDD Specifications

Filter Model	Valve Size	Valve Size	Filter Area	Bed Depth	Commercial 36m <sup>3</sup> /hr/m <sup>2</sup>	Commercial 36m <sup>3</sup> /hr/m <sup>2</sup>	Media Volume	Sand 16/30	ZeoPlus 1 - 2.2
	mm	Inch	m <sup>2</sup>	mm	lpm	m <sup>3</sup> /hr	litres	kg	kg
SMDD1050	65	2.5	0.87	1200	520	31.2	1153	1680	1270
SMDD1050	80	3.0	0.87	1200	520	31.2	1153	1680	1270
SMDD1200	65	2.5	1.13	1200	679	40.7	1412	2060	1550
SMDD1200	80	3.0	1.13	1200	679	40.7	1446	2110	1590
SMDD1200	100	4.0	1.13	1200	679	40.7	1446	2110	1590
SMDD1400	80	3.0	1.54	1200	924	55.4	2050	2990	2250
SMDD1400	100	4.0	1.54	1200	924	55.4	2050	2990	2250
SMDD1600	80	3.0	2.01	1200	1080	64.8	2553	3730	2810
SMDD1600	100	4.0	2.01	1200	1206	72.4	2553	3730	2810
SMDD1800	100	4.0	2.54	1200	1527	91.6	3481	5080	3830
SMDD1800	150	6.0	2.54	1200	1527	91.6	3481	5080	3830
SMDD2000	100	4.0	3.14	1200	1885	113.1	4244	6200	4670
SMDD2000	150	6.0	3.14	1200	1885	113.1	4244	6200	4670
SMDD2350	150	6.0	4.34	1200	2602	156.1	5950	8680	6550
SMDD2500	150	6.0	4.91	1200	2945	176.7	6595	9630	7250

## Micron SMD Dimension

Model	Port	A	B	C	W	R	P	E	F	K	V	H	L	X	Y	Z	J	S	T
SMD1050	65	796	1077	1912	389	298	193	1044	1170	220	1587	1470	176	1837	1354	1735	1045	1044	744
SMD1050	80	901	1077	1912	510	363	548	1100	1210	220	1587	1470	176	1837	1482	1735	1045	1100	744
SMD1200	65	873	1229	1927	389	298	193	1098	1224	190	1568	1440	176	1852	1408	1750	1045	1098	798
SMD1200	80	977	1229	1927	510	363	548	1154	1264	150	1568	1400	176	1852	1536	1750	1045	1154	798
SMD1200	100	1098	1229	1927	689	556	440	1192	1327	180	1568	1430	176	1852	1636	1750	1045	1192	760
SMD1400	80	1083	1442	1977	510	363	548	1204	1314	250	1615	1500	218	1902	1586	1800	1202	1204	848
SMD1400	100	1205	1442	1977	689	556	440	1242	1377	200	1615	1450	218	1902	1686	1800	1202	1242	810
SMD1600	80	1184	1644	2014	510	363	548	1151	1261	220	1615	1500	218	1941	1533	1839	1202	1151	795
SMD1600	100	1306	1644	2014	689	556	440	1189	1324	180	1615	1430	218	1941	1633	1839	1202	1189	757
SMD1600	150	-	1644	2014	-	-	-	-	-	220	1615	1470	218	1941	-	1839	1202	1200	717
SMD1800	100	1403	1839	1930	689	556	440	1183	1318	300	1660	1550	315	1857	1626	1755	1755	1183	751
SMD1800	150	-	1839	1930	-	-	-	-	-	320	1660	1570	315	1857	-	1755	1755	1208	725
SMD2000	100	1505	2042	2111	689	556	440	1190	1325	300	1765	1550	245	1988	1633	1908	1755	1190	758
SMD2000	150	-	2042	2111	-	-	-	-	-	300	1765	1550	245	1988	-	1908	1755	1215	732

## Micron SMDD Dimension

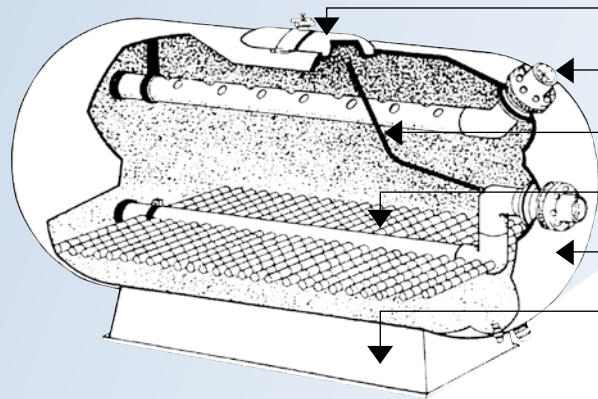
Model	Port	A	B	C	W	R	P	E	F	K	V	H	L	X	Y	Z	J	S	T
SMDD1050	65	796	1077	2292	389	298	193	1594	1720	220	1950	1820	176	2217	1904	2115	1045	1594	1294
SMDD1050	80	901	1077	2292	510	363	548	1650	1760	220	1950	1820	176	2217	2032	2115	1045	1650	1294
SMDD1200	65	873	1229	2265	389	298	193	1609	1735	190	1900	1790	176	2190	1919	2088	1045	1609	1309
SMDD1200	80	977	1229	2265	510	363	548	1665	1775	150	1900	1750	176	2190	2047	2088	1045	1665	1309
SMDD1200	100	1098	1229	2265	689	556	440	1315	1450	180	1900	1780	176	2190	1759	2088	1045	1315	883
SMDD1400	80	1083	1442	2335	510	363	548	1618	1728	250	1970	1860	218	2260	2000	2158	1202	1618	1262
SMDD1400	100	1205	1442	2335	689	556	440	1330	1465	200	1975	1800	218	2260	1774	2158	1202	1330	898
SMDD1600	80	1184	1644	2307	510	363	548	1383	1493	205	1950	1805	218	2232	1765	2130	1202	1383	1027
SMDD1600	100	1306	1644	2307	689	556	440	1421	1556	200	1950	1800	218	2232	1865	2130	1202	1421	989
SMDD1800	100	1404	1839	2280	689	556	440	1298	1433	210	2010	1810	315	2207	1742	2105	1755	1298	866
SMDD1800	150	-	1839	2280	-	-	-	-	-	320	2010	1920	315	2207	-	2105	1755	1383	900
SMDD2000	100	1505	2042	2446	689	556	440	1358	1493	300	2100	1900	245	2323	1801	2243	1755	1358	926
SMDD2000	150	-	2042	2446	-	-	-	-	-	320	2100	1920	245	2323	-	2243	1755	1383	900
SMDD2350	150	-	2390	2408	-	-	-	-	-	335	2110	1955	340	2303	-	2303	2037	1450	967
SMDD2500	150	-	2575	2510	-	-	-	-	-	355	2190	1955	340	2405	-	2405	2037	1494	1011



## Micron Horizontal Filters

The Micron Horizontal Filter is a space-saving high performer; its compact horizontal design allows installation with minimum waste of space.

The shape of the Micron horizontal filter is both attractive and functional. The spherical ends are designed to give uniform flow from both inlet and outlet collection assemblies. The system provides adequate distribution to evenly expand the filter bed during backwash and the entire media bed is utilised during the filter cycle.



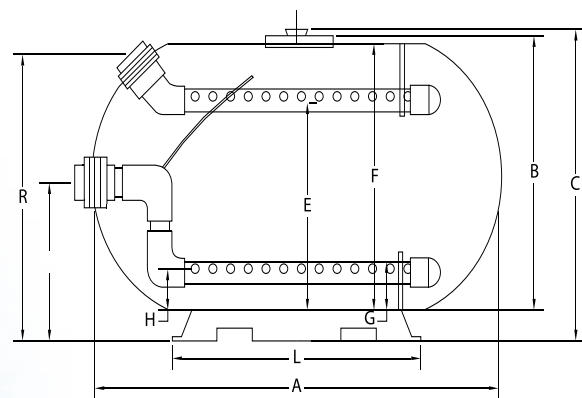
- Sturdy service manhole.
- Inlet & Outlet ports located for ease of plumbing.
- Automatic air release.
- Parallel laterals to maximise water flow and filtration.
- Fibreglass wound tank, UV and Corrosion Resistant.
- Large stable support skirt.

## Micron Horizontal Specifications

Filter Model	Valve Size	Valve Size	Filter Area	Bed Depth	Commercial 36m <sup>3</sup> /hr/m <sup>2</sup>	Commercial 36m <sup>3</sup> /hr/m <sup>2</sup>	Media Volume	Sand 16/30	ZeoPlus 1 - 2.2
	mm	Inch	m <sup>2</sup>	mm	lpm	m <sup>3</sup> /hr	litres	kg	kg
M2500	100	4.0	2.50	500	1500	90.0	1457	2130	1600
M3750	150	6.0	3.75	500	2250	135.0	2211	3230	2430
M5000	150	6.0	5.00	500	3000	180.0	2968	4330	3270
MD6500	200	8.0	6.50	1200	3900	234.0	8393	12250	9230
MD11000	250	10.0	11.0	1200	6600	396.0	12900	18834	14190

## Micron Horizontal Dimension

Model	Port	A	C	W	R	L	E	F	G	H
M2500	100	2245	1620	740	1320	1400	1005	1260	150	225
M3750	100	3230	1620	740	1320	2520	1005	1260	150	255
M3750	150	3230	1620	740	1320	2520	945	1260	150	275
M5000	150	4220	1620	740	1320	3570	945	1260	150	275
MD6500	200	3635	2244	1120	2066	2405	1890	2000	347	240
MD11000	250	5850	2173	1120	2094	4655	1883	2000	347	283

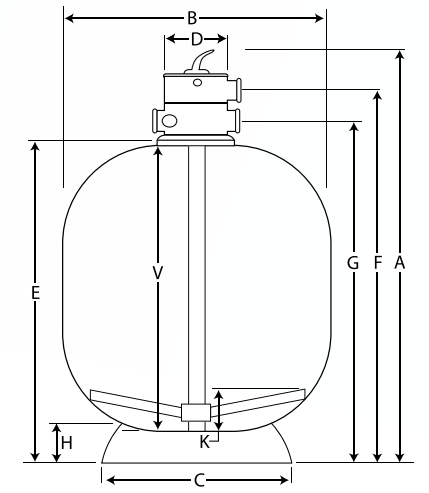


## Warranty

Waterco is proud to show its ultimate confidence in its range of commercial fibreglass filters by offering a 5 year (1 year full + 4 year pro rata) tank warranty for commercial installations.

## Micron Top Mount Dimension

Model	Valve	A	B	C	D	E	F	G	H	V	K
S1050	65	1490	1077	1045	264	1090	1316	1183	176	940	163
S1200	65	1615	1210	1045	264	1215	1441	1308	176	1040	173
S1200	80	1762	1232	1045	330	1332	1528	1418	176	1145	150
S1200	80	1824	1232	1045	301	1332	1552	1443	176	1145	200
S1400	80	1945	1442	1202	301	1453	1673	1564	218	1217	200



## Micron Side Mount Specifications

Filter Model	Valve Size	Valve Size	Filter Area	Bed Depth	Commercial 36m <sup>3</sup> /hr/m <sup>2</sup>	Commercial 36m <sup>3</sup> /hr/m <sup>2</sup>	Media Volume	Sand 16/30	ZeoPlus 1 - 2.2
	mm	Inch	m <sup>2</sup>	mm	lpm	m <sup>3</sup> /hr	litres	kg	kg
SM1050	65	2.5	0.87	470	520	31.2	434	630	480
SM1050	80	3.0	0.87	470	520	31.2	434	630	480
SM1200	65	2.5	1.13	580	679	40.7	711	1040	780
SM1200	80	3.0	1.13	580	679	40.7	711	1040	780
SM1400	80	3.0	1.54	670	924	55.4	1142	1670	1260
SM1600	80	3.0	2.01	670	1080	64.8	1487	2170	1640

Note: Flow rate can be limited by the port size. Maximum flow rate for 50mm pipe is 510lpm, 65mm is 780lpm, 80mm is 1080lpm and 100mm is 1800lpm.

## Micron Side Mount Dimension

Model	Port	A	B	C	W	R	P	E	F	K	V	H	L	X	Y	Z	J	S	T
SM1050	65	796	1077	1260	398	298	193	737	863	120	1000	880	176	1229	1047	1153	1045	737	437
SM1050	80	900	1077	1320	510	363	548	790	900	120	980	880	176	1195	1172	1089	1045	790	435
SM1200	65	873	1232	1520	389	298	193	916	1042	190	1191	1022	176	1489	1226	1413	1045	916	616
SM1200	80	978	1232	1561	510	363	548	952	1062	150	1145	982	176	1436	1334	1330	1045	952	596
SM1400	80	1083	1442	1660	510	363	548	998	1108	190	1217	1065	218	1534	1380	1453	1202	998	642
SM1600	80	1184	1644	1946	510	363	548	1101	1211	205	1520	1220	218	1820	1483	1720	1202	1101	754

