

CENTRIFUGAL PUMPS - SINGLE IMPELLER in AISI 304

Single impeller centrifugal pumps with hydraulic components manufactured from stainless steel AISI 304, suitable for pressure boosting, water supply, treatment & irrigation. Air conditioning systems and general water pumping including moderately aggressive liquids



SPECIFICATIONS

- Maximum working pressure: 8 bar
- Maximum liquid temperature:
35°C according EN 60335-2-41 for domestic uses
60°C for other uses of CDX 70/05-70/07-90/10
90°C for other models
110° for H version

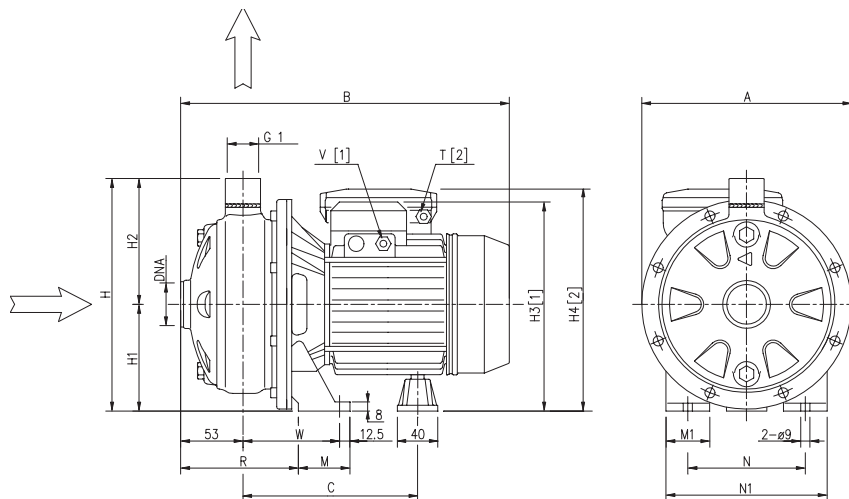
MATERIALS

- Pump body, impeller, diffuser and casing cover in AISI 304
- Shaft in AISI 303
- Bracket and motor casing in aluminium
- Mechanical seal in carbon/ceramic/NBR

- Special mechanical seal are available on demand

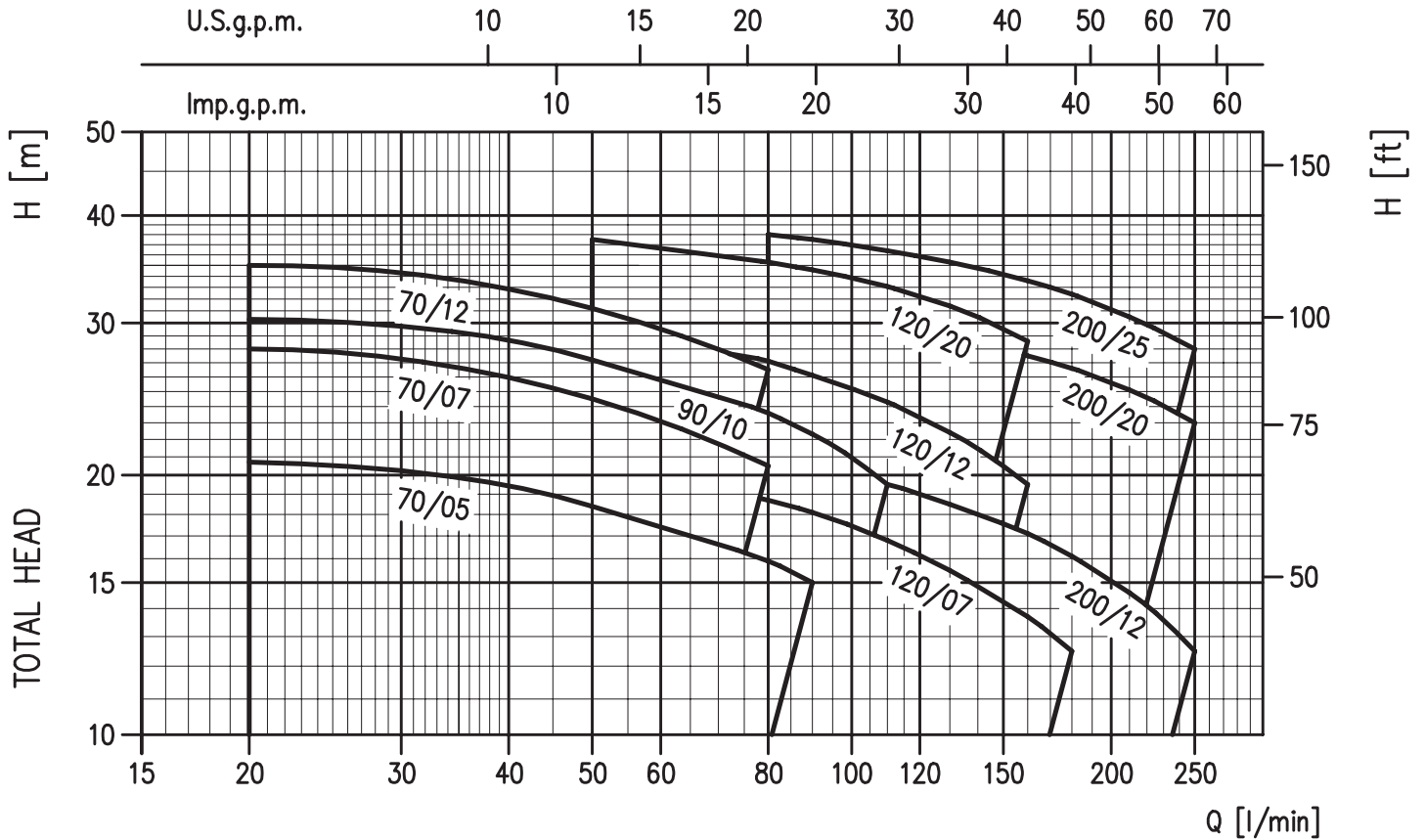
TECHNICAL DATA

- T.E.F.C. 2 poles motor
- Insulation class F
- Protection degree IP55
- 1~230V ± 10% 50Hz, 3~230/400V ± 10% 50Hz
- Permanent split capacitor and automatic thermal overload protection for single-phase version
- Thermal protection to be provided by the user for three-phase version
- DNM 1"



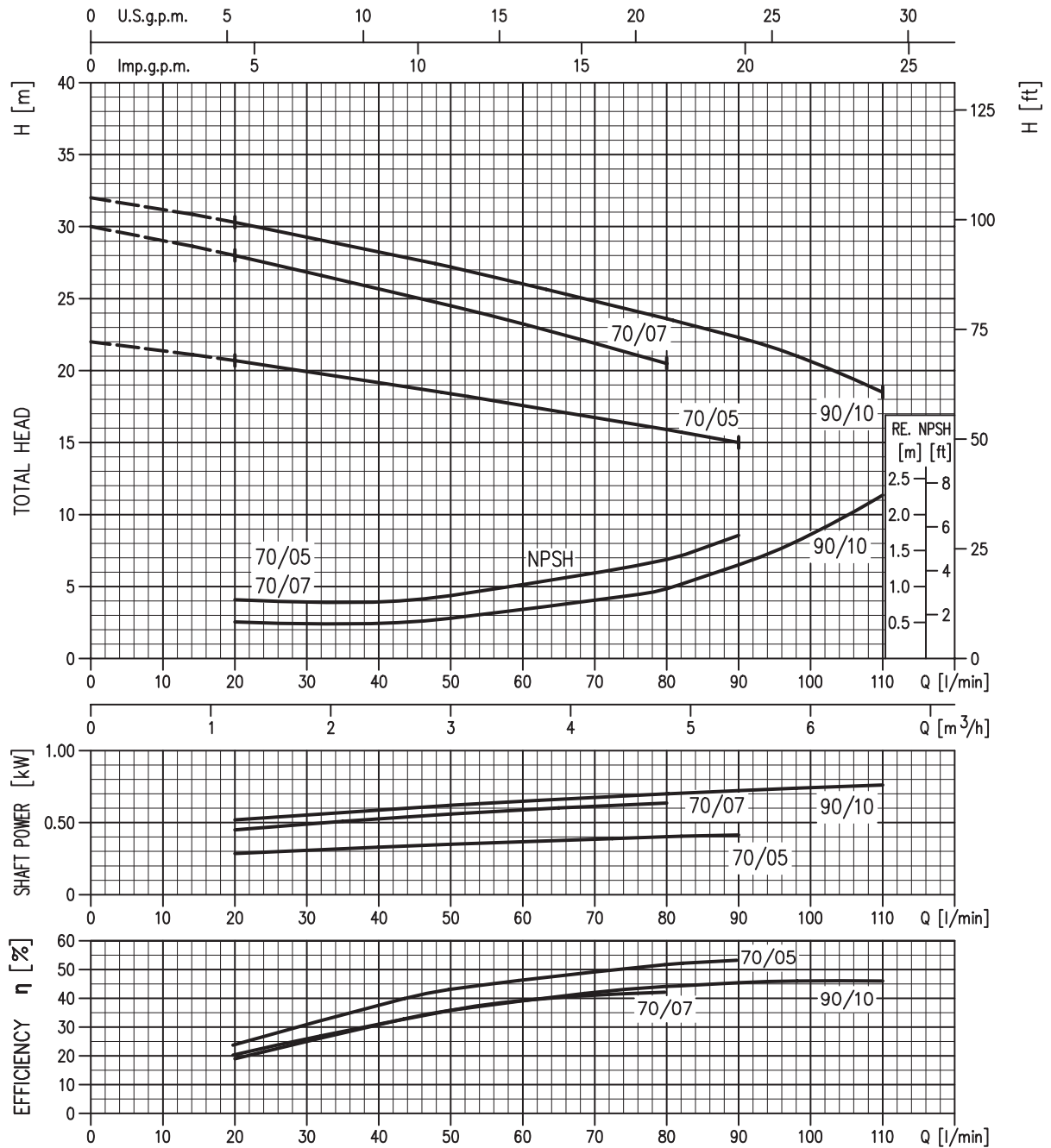
DIMENSIONAL TABLE

Pump type		Dimensions (mm)																Weight Kg			
		A	B		C	H	H1	H2	H3	H4	M	M1	N	N1	R	T	W	DNA	Single-phase	Three-phase	
Single-phase	Three-phase		1-	3-																	
CDXM 70/05	CDX 70/05	208	318	318	178	229,5	106	123,5	209	215	50	38	120	160	108	PG11	92,5	G 1 1/4			
CDXM 70/07	CDX 70/07	208	318	318	178	229,5	106	123,5	209	215	50	38	120	160	108	PG11	92,5	G 1 1/4	9,1	9,1	
CDXM 90/10	CDX 90/10	208	318	318	178	229,5	106	123,5	209	215	50	38	120	160	108	PG11	92,5	G 1 1/4	10,4	10,4	
CDXM 120/07	CDX 120/07	208	318	318	178	229,5	106	123,5	209	215	50	38	120	160	108	PG11	92,5	G 1 1/4	11,9	11,9	
CDXM 120/12	CDX 120/12	208	318	318	178	229,5	106	123,5	209	215	50	38	120	160	108	PG13,5	92,5	G 1 1/4	10,4	10,4	
CDXM 120/20	CDX 120/20	232	345	345	199	250	118	132	235	253	55	40	140	180	105,5	PG13,5	95	G 1 1/4	12,5	12,5	
CDXM 200/12	CDX 200/12	208	318	318	178	229,5	106	123,5	209	215	50	38	120	160	108	PG13,5	92,5	G 1 1/2	17,2	16,2	
CDXM 200/20	CDX 200/20	208	345	345	199	229,5	106	123,5	223	240	55	40	140	180	105,5	PG13,5	95	G 1 1/2	16,3	11,4	
	CDX 200/25	232	-	345	199	250	118	132	235	-	55	40	140	180	105,5	-	95	G 1 1/2	15,3	14,2	

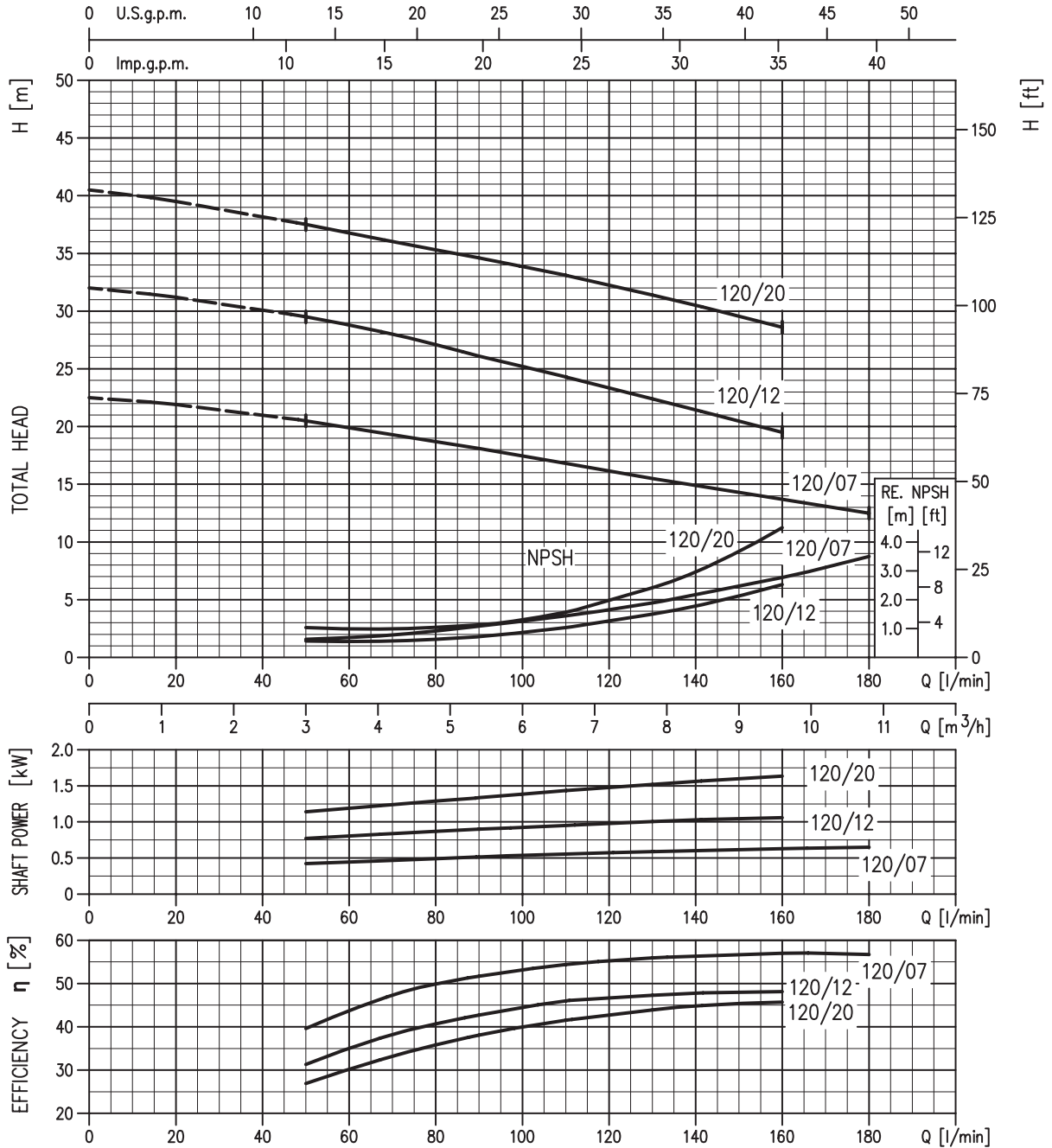
PERFORMANCE CHART (according to ISO 9906 grade 2)

PERFORMANCE TABLE

Pump type		kW	Capacitor		Absorbed Current (A)			l/min m ³ /h	Q=Capacity									
Single-phase 230V 50Hz	Three-phase 230/400V 50Hz		μF	V _c	Single-phase	Three-phase 230V 400V			20	50	80	90	110	130	160	180	210	250
								H=Total head										
CDXM 70/05	CDX 70/05	0,37	12,5	450	3,1	2,4	1,4	20,7	18,4	15,9	15	-	-	-	-	-	-	
CDXM 70/07	CDX 70/07	0,55	16	450	4,6	3,5	2,0	28	24,5	20,5	-	-	-	-	-	-	-	
CDXM 90/10	CDX 90/10	0,75	20	450	5,6	4,0	2,3	30,3	27,2	23,6	22,3	19,5	-	-	-	-	-	
CDXM 120/07	CDX 120/07	0,55	16	450	4,6	3,2	1,9	-	20,5	18,7	18,1	16,8	15,5	13,7	12,5	-	-	
CDXM 120/12	CDX 120/12	0,9	31,5	450	6,9	5,2	3,0	-	29,5	27,1	26,1	24,3	22,4	19,5	-	-	-	
CDXM 120/20	CDX 120/20	1,5	40	450	9,3	7,0	4,0	-	37,5	35,3	34,6	33,1	31,4	28,6	-	-	-	
CDXM 200/12	CDX 200/12	0,9	31,5	450	6,3	4,7	2,7	-	-	20,6	20,2	19,5	18,5	17,1	16,1	14,6	12,5	
CDXM 200/20	CDX 200/20	1,5	40	450	10,7	7,0	4,0	-	-	31	30,6	29,7	28,9	27,5	26,6	25,1	23	
	CDX 200/25	1,8	-	-	-	8,2	4,8	-	-	38	37,5	36,4	35,3	33,6	32,4	30,5	28	

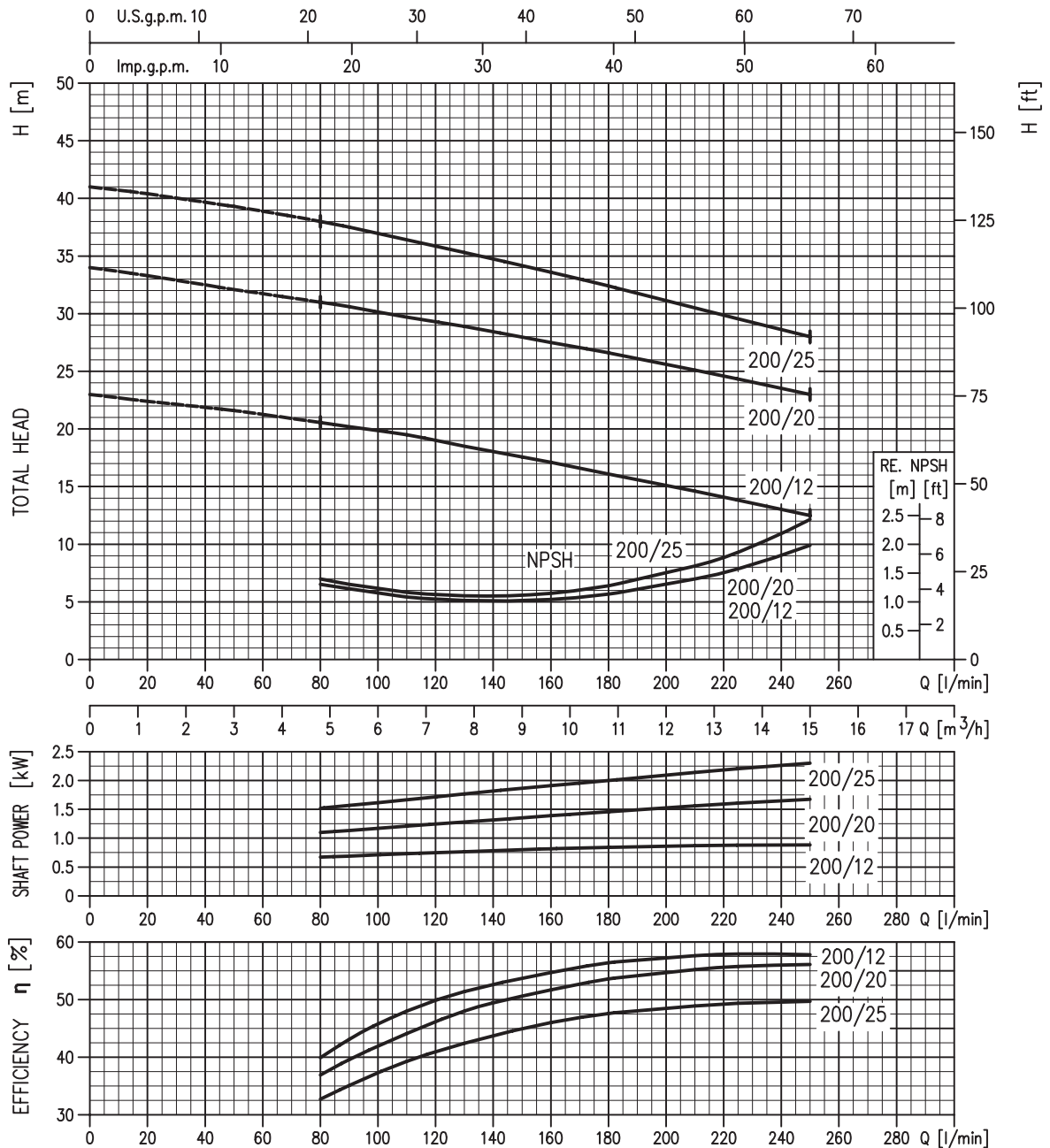
PERFORMANCE CURVES CDX 70-90 series (according to ISO 9906 grade 2)



PERFORMANCE CURVES CDX 120 series (according to ISO 9906 grade 2)



PERFORMANCE CURVES CDX 200 series (according to ISO 9906 grade 2)



Twin impeller centrifugal pumps with hydraulic components constructed in stainless steel AISI 304, suitable for pressure boosting, water supply, water treatment & irrigation. Air conditioning systems and general water pumping including moderately aggressive liquids



SPECIFICATIONS

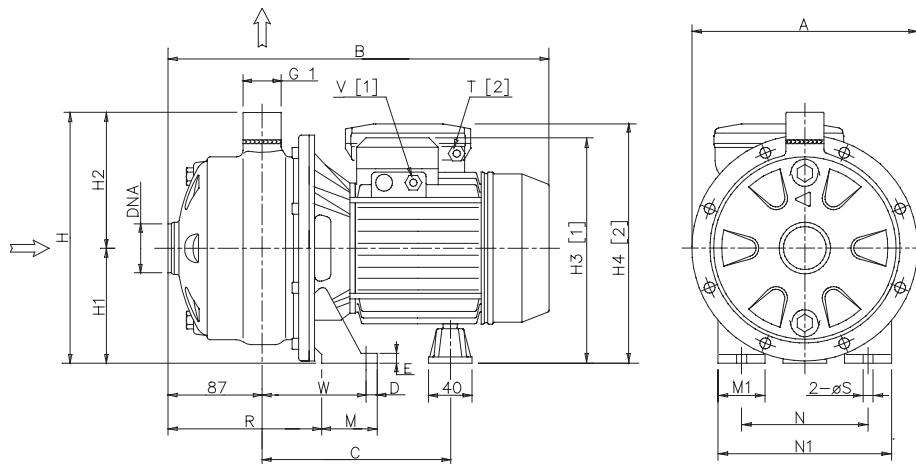
- Maximum working pressure: 8 bar
- Maximum liquid temperature:
35°C according EN 60335-2-41 for domestic uses
60°C for other uses
110° for H version

MATERIALS

- Pump body, impeller, diffuser and casing cover in AISI 304
- Shaft in AISI 303
- Bracket and motor casing in aluminium
- Mechanical seal in carbon/ceramic/NBR
- Special mechanical seal are available on demand

TECHNICAL DATA

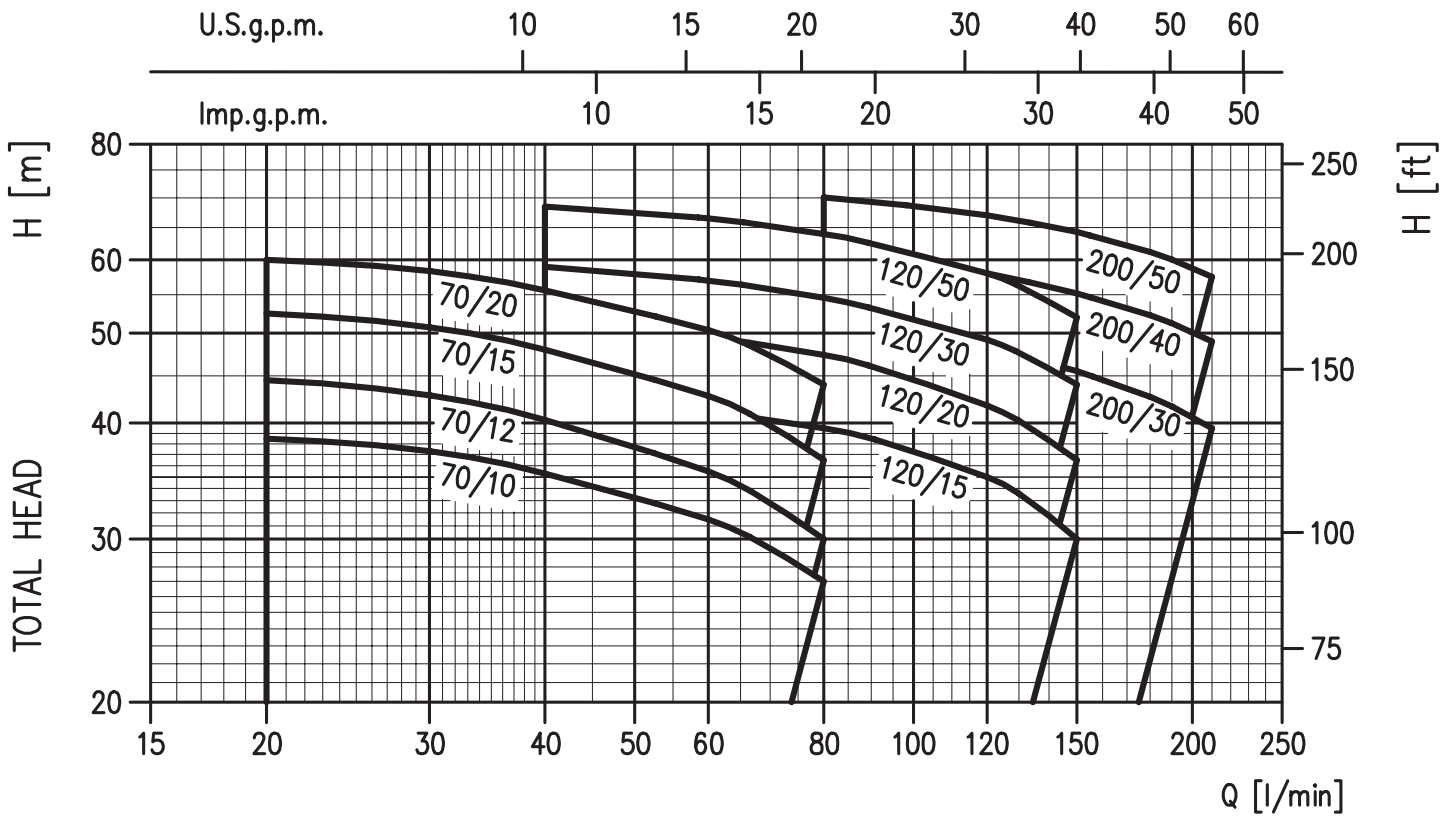
- T.E.F.C. 2 poles motor
- Insulation class F
- Protection degree IP55
- 1 230V ± 10% 50Hz, 3 230/400V ±10% 50Hz
- Permanent split capacitor and automatic thermal overload protection for single-phase version
- Thermal protection to be provided by the user for three-phase version
- DNM 1"



DIMENSIONAL TABLE

Pump type		Dimensions (mm)																			Weight		
Single-phase	Three-phase	A	B	C	D	E	H	H1	H2	H3	H4	M	M1	N	N1	R	T	V	W	S	DNA	Single-phase	Three-phase
2CDXM 70/10	2CDX 70/10	208	355	182	12,5	8	229	106	123	209	215	50	38	120	160	142,5	PG11	PG11	93	9	G 1 1/4	-	-
2CDXM 70/12	2CDX 70/12	208	355	182	12,5	8	229	106	123	209	215	50	38	120	160	142,5	PG11	PG11	93	9	G 1 1/4	13,5	13,3
2CDXM 70/15	2CDX 70/15	232	380	199	12,5	8	250	118	132	235	249	55	40	140	180	140	PG13,5	PG11	95,5	9	G 1 1/4	14,2	13,8
2CDXM 70/20	2CDX 70/20	232	385	199	12,5	8	250	118	132	235	249	55	40	140	180	140	PG13,5	PG11	95,5	9	G 1 1/4	17,4	16,4
2CDXM 120/15	2CDX 120/15	208	380	199	12,5	8	229	106	123	223	237	55	40	140	180	140	PG13,5	PG11	95,5	9	G 1 1/4	18,6	18,2
2CDXM 120/20	2CDX 120/20	208	380	199	12,5	8	229	106	123	223	237	55	40	140	180	140	PG13,5	PG11	95,5	9	G 1 1/4	15,5	15,3
-	2CDX 120/30	232	390	209,5	12,5	8	250	118	132	240	-	65	40	140	180	145	-	PG13,5	110,5	9	G 1 1/4	18,0	16,9
-	2CDX 120/40	232	420	231,5	12,5	8	250	118	132	240	-	65	40	140	180	145	-	PG13,5	110,5	9	G 1 1/4	-	23,2
-	2CDX 200/30	208	420	231,5	12,5	8	241	118	132	240	-	55	40	140	180	145	-	PG13,5	100,5	9	G 1 1/2	-	26,4
-	2CDX 200/40	232	420	231,5	12,5	8	250	118	132	240	-	65	40	140	180	145	-	PG13,5	110,5	9	G 1 1/2	-	25,0
-	2CDX 200/50	232	445	231,5	16,0	13	250	118	132	252	-	68	50	160	210	145	-	PG16	110,0	12	G 1 1/2	-	25,0

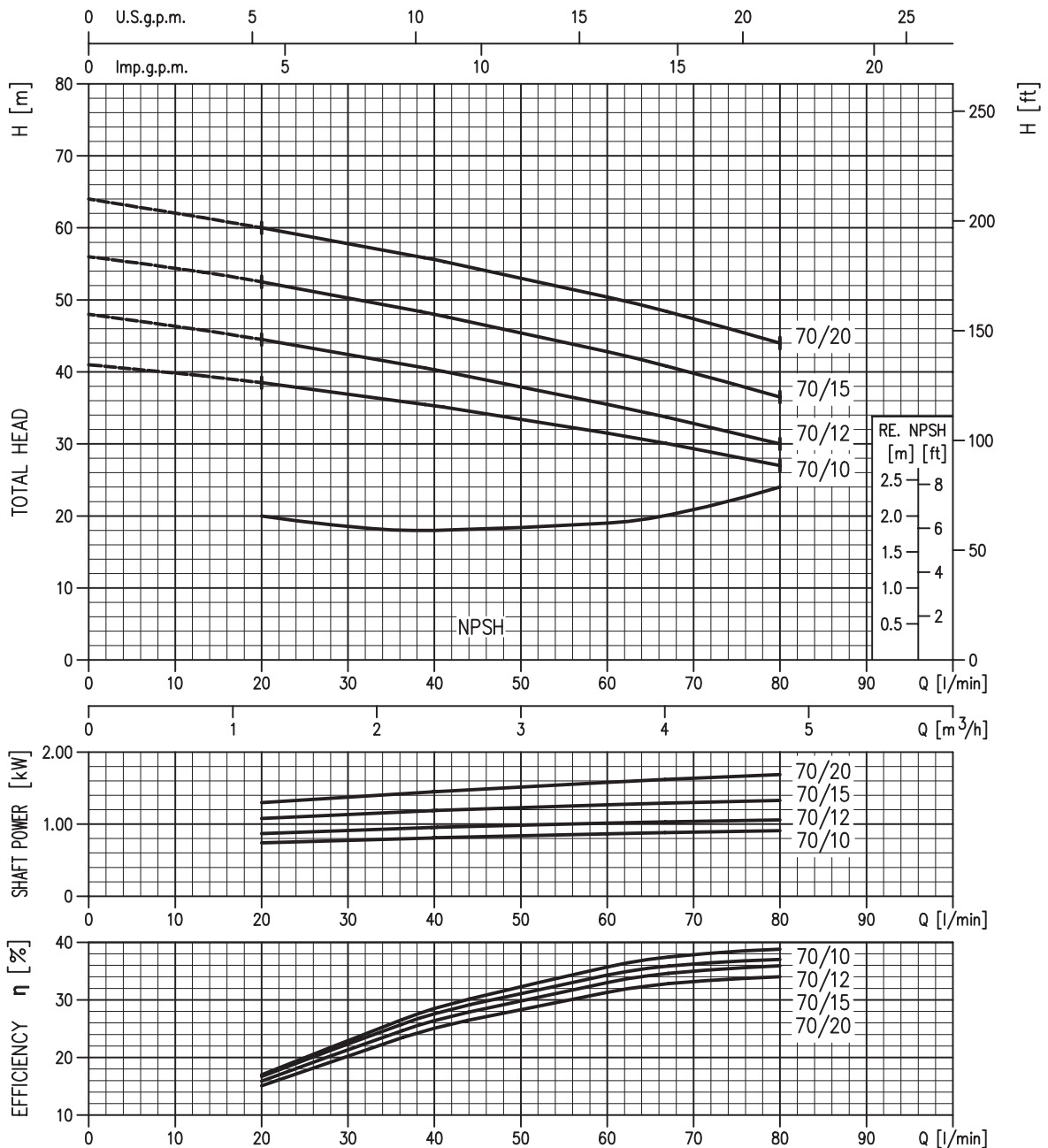
PERFORMANCE CHART (according to ISO 9906 grade 2)



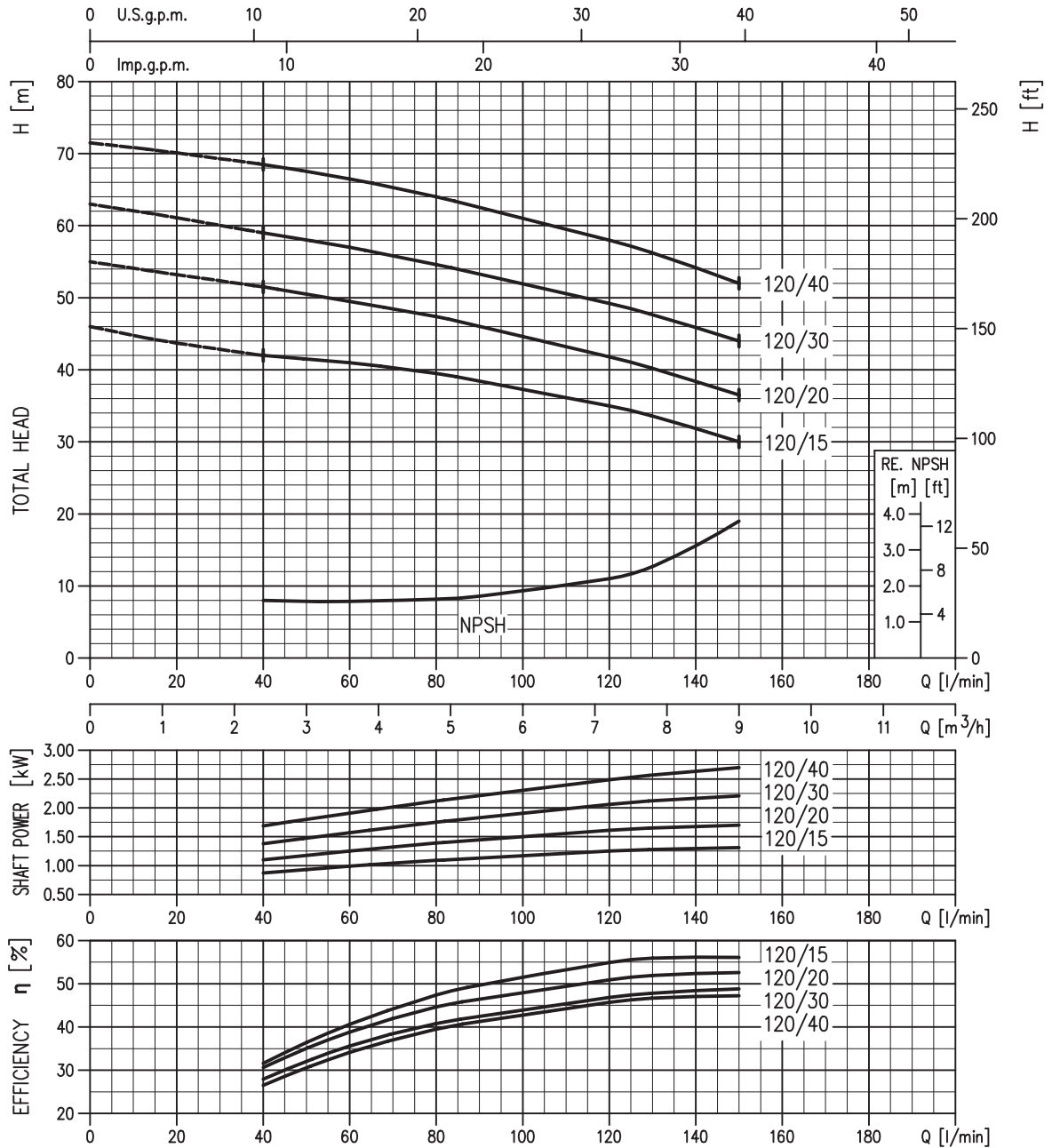
PERFORMANCE TABLE

Pump type		kW	Capacitor		Absorbed Current (A)			l/min m ³ /h	Q=Capacity							
Single-phase 230V 50Hz	Three-phase 230/400V 50Hz		μF	V _c	Single-phase	Three-phase 230V 400V			20	40	60	80	120	150	180	210
2CDXM 70/10	2CDX 70/10	0,75	20	450	6,0	4,0	2,3	1,2	2,4	3,6	4,8	7,2	9	10,8	12,6	
2CDXM 70/12	2CDX 70/12	0,9	31,5	450	7,0	5,0	2,9	38,5	35,3	31,5	27	-	-	-	-	
2CDXM 70/15	2CDX 70/15	1,1	35	450	8,0	5,6	3,2	44,5	40,3	35,5	30	-	-	-	-	
2CDXM 70/20	2CDX 70/20	1,5	40	450	9,9	7,0	4,0	52,5	48	42,8	36,5	-	-	-	-	
2CDXM 120/15	2CDX 120/15	1,1	35	450	8,3	5,6	3,2	60	55,6	50,4	44	-	-	-	-	
2CDXM 120/20	2CDX 120/20	1,5	40	450	10,2	7,0	4,0	-	42	41	39,5	35	30	-	-	
-	2CDX 120/30	2,2	-	-	-	8,7	5,0	-	51,5	49,5	47,4	41,8	36,5	-	-	
-	2CDX 120/40	3,0	-	-	-	10,8	6,2	-	59	57	54,6	49,2	44	-	-	
-	2CDX 200/30	2,2	-	-	-	10,4	6,0	-	68,5	66,5	64	58	52	-	-	
-	2CDX 200/40	3,0	-	-	-	11,4	6,6	-	-	52	50,8	48,1	45,5	42,7	39,5	
-	2CDX 200/50	3,7	-	-	-	15	8,7	-	-	62,5	61,1	58	55,2	52,3	49	
-	-	-	-	-	-	-	-	-	-	71,5	70,1	67	64,3	61,2	57,5	

PERFORMANCE CURVES series 2CDX 70 (according to ISO 9906 grade 2)



PERFORMANCE CURVES 2CDX 120 series (according to ISO 9906 grade 2)



PERFORMANCE CURVES 2CDX 200 series (according to ISO 9906 grade 2)

