

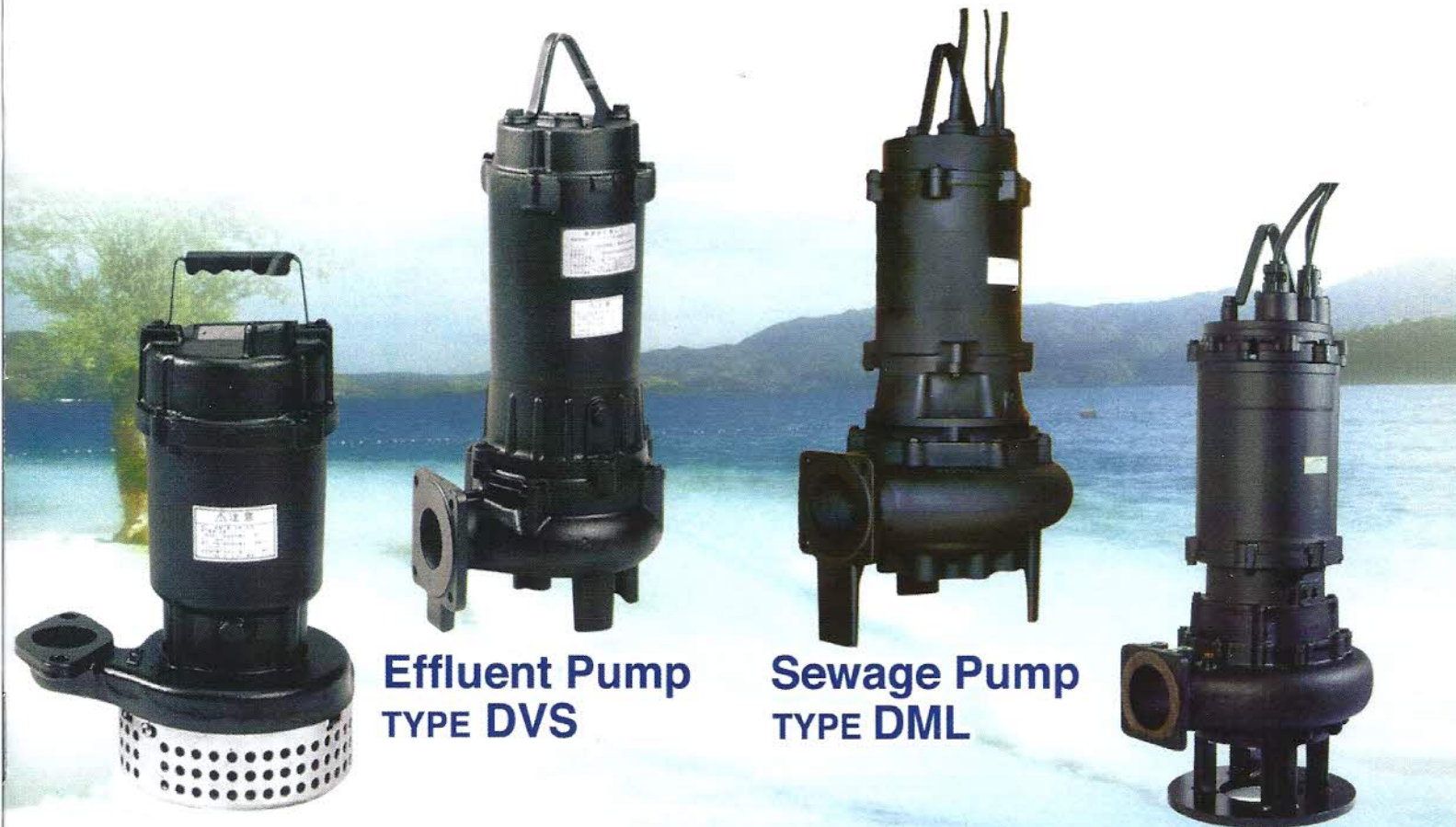


EBARA

D'Series SUBMERSIBLE PUMP

Model **DS/DVS/DMLV/DSC4/DML/DL**

50Hz



**Sump Pump
TYPE DS**

**Effluent Pump
TYPE DVS**

**Sewage Pump
TYPE DML**

**Sewage Pump
TYPE DL**

EBARA D'Series SUBMERSIBLE PUMP - Quality that shows....

For Sump, Effluent,
Waste water
and Sewage.

A comprehensive range
of Reliable, High quality
Submersible pumps.

Of Robust Cast iron
construction, with many
design features.

Model DS

■ FEATURES

- Efficient Semi-Open Impeller.
- Strainer prevents blockages.

■ APPLICATIONS

- Purification tank drainage
- Rain and spring water drainage
- Water supply

Model DVS

■ FEATURES

- Semi-Vortex Impeller offers non-clog operation and allows pumping of foreign matter up to 60-70% of discharge size.
- Easy Maintenance.

■ APPLICATIONS

- Ideal for waste water applications containing soft or fibrous solids
- Industrial waste water drainage
- Septic effluent
- Miscellaneous drainage

Model DML

■ FEATURES

- Non-Clog Single channel Impeller 3" passage.
- Range of Models up to 150mm discharge.
- Dry pit is available as optional.

■ APPLICATIONS

- Sewage
- Waste water

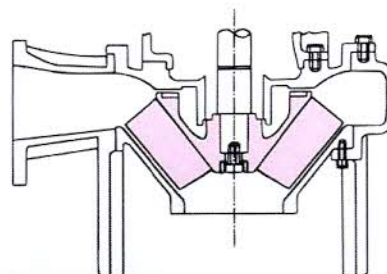
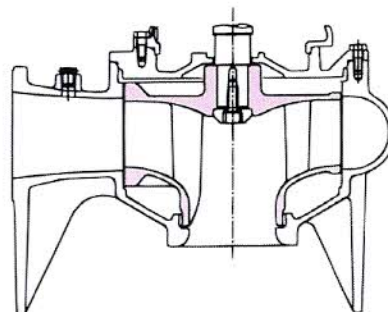
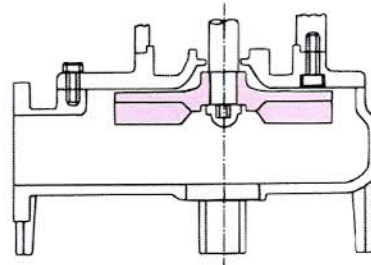
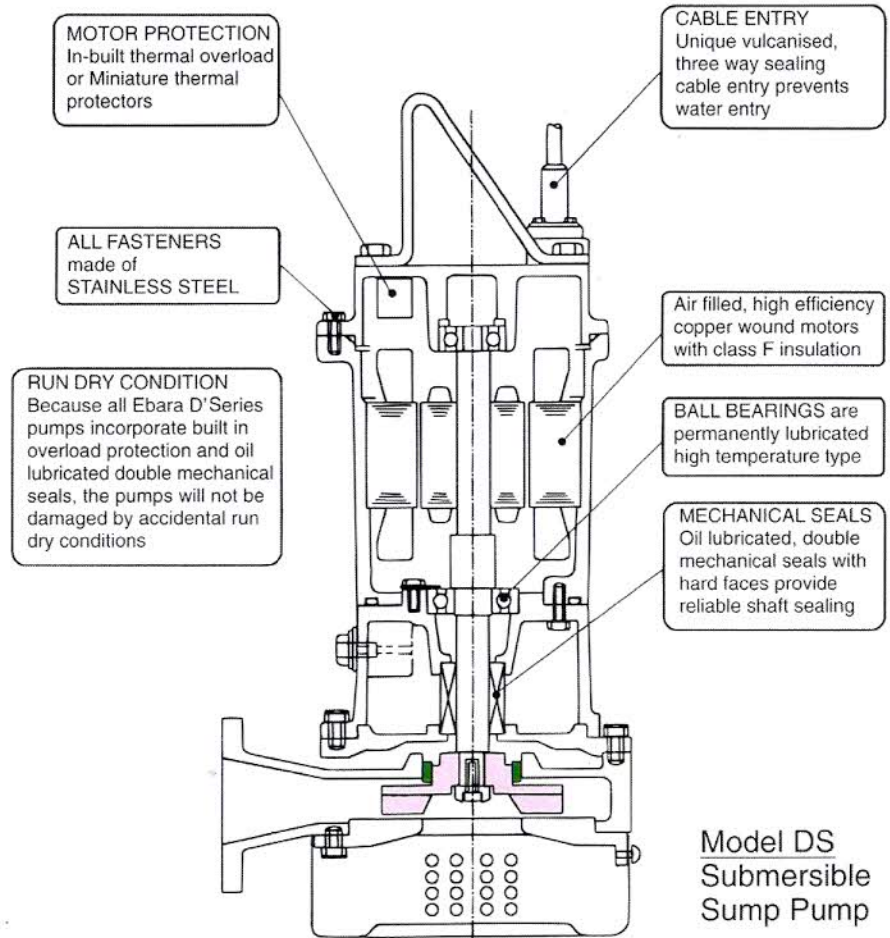
Model DL

■ FEATURES

- Non-Clog Type Impellers prevents clogging by fibrous matter.
- Range of Models up to 300mm discharge size and 45kW available.

■ APPLICATIONS

- Sewage
- Waste water



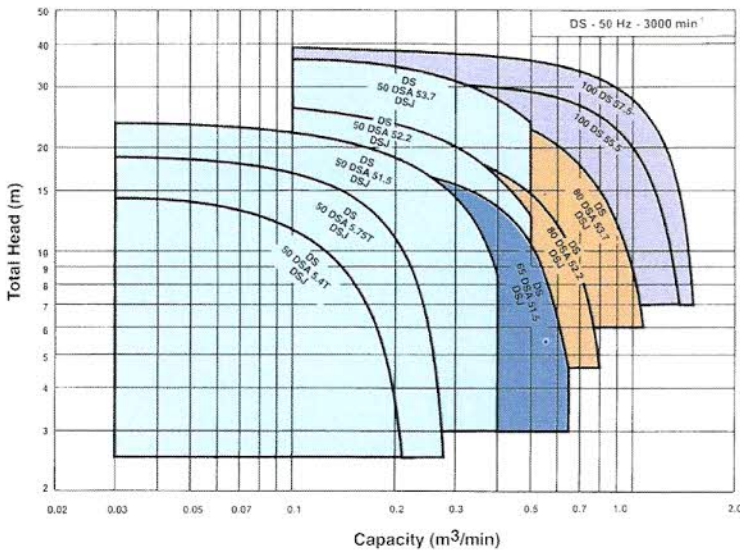
Model DS

SPECIFICATIONS

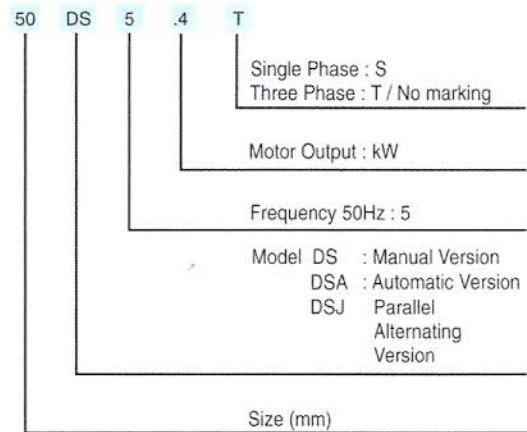


Pump			
Liquid Handled	Type of liquid	Sump	
	Temperature	0-40°C for DS, DSA; 0-32°C for DSJ	
	Max solids size	50:5mm, 65:6mm, 80:7mm, 100:8mm	
Maximum Submergence		4m (0.4-1.5KW) ; 8m (2.2-7.5KW)	
Minimum Submergence		Refer to water level (L.W.L) in Dimensions. It is possible to operate at low water level for 30min.	
Synchronous Speed		3000min ⁻¹	
Construction	Mechanical Seal	Double mechanical seal	
	Impeller	Semi-open	
	Bearing	Prelubricated bearing	
Material	Casing	Cast iron	
	Impeller	Cast iron	
	Shaft	403 Stainless Steel	
	Mechanical Seal	Impeller side	Silicon carbide
		Motor side	Ceramic / Carbon
	Packing	NBR	
Motor			
Type	2 pole, air-filled watertight		
Insulation	Class E or Class F		
Protection	Built in overload protector		
Accessories			
Standard	Submersible cable: 0.4-1.5KW x 6m, 2.2-7.5KW x 10m, Float switch (for DSA, DSJ)		
Option	Quick discharge connector, Float switch (for DS only)		

PERFORMANCE CHART

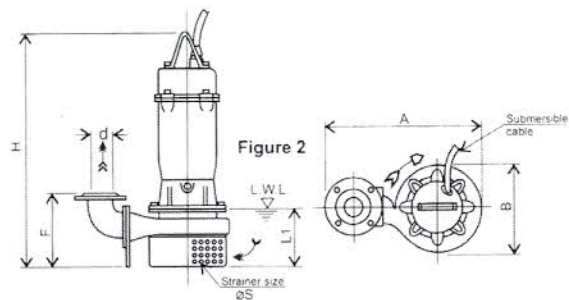
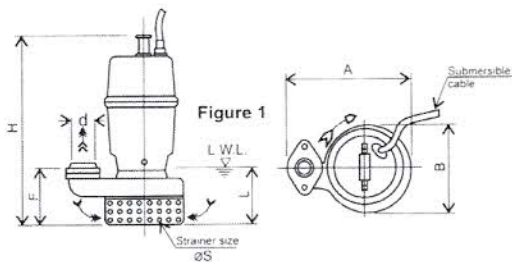


MODEL CODE



DIMENSIONS

Manual type



Unit: mm

Size	Model	Output kW	Phase	Pump and Motor						L.W.L.	wt kg
				d	A	B	F	H	S		
50	50DS5.4T	0.4	3Ø	PT 2	260	186	99	396	8	110	16
	50DS5.75T	0.75	3Ø	PT 2	260	186	99	396	8	110	17
	50DS51.5	1.5	3Ø	PT 2	266	200	115	450	10	120	25
	50DS52.2	2.2	3Ø	-	433	245	198	619	10	160	55
	50DS53.7	3.7	3Ø	-	433	245	198	619	10	160	61

Size	Model	Output kW	Phase	Pump and Motor						L.W.L.	wt kg
				A	B	F	H	S			
65	65DS51.5	1.5	3Ø	407	210	197	503	10	120	35	
	80DS52.2	2.2	3Ø	503	268	215	625	10	160	59	
80	80DS53.7	3.7	3Ø	503	268	215	625	10	160	64	
	100DS55.5	5.5	3Ø	615	309	257	730	13	200	92	
100	100DS57.5	7.5	3Ø	615	309	257	730	13	200	104	

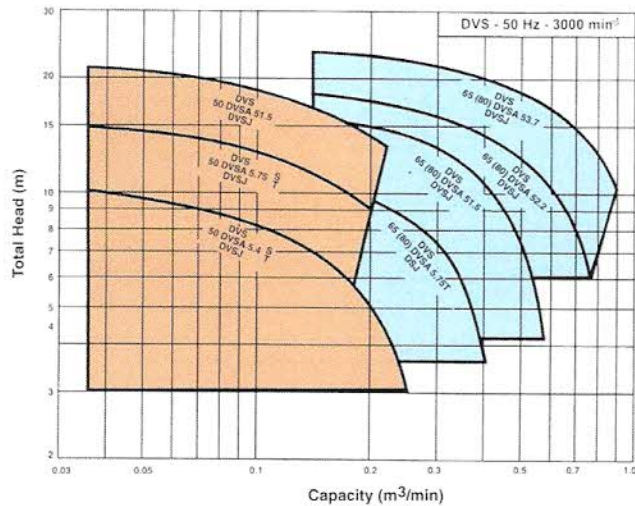
Model DVS

SPECIFICATIONS

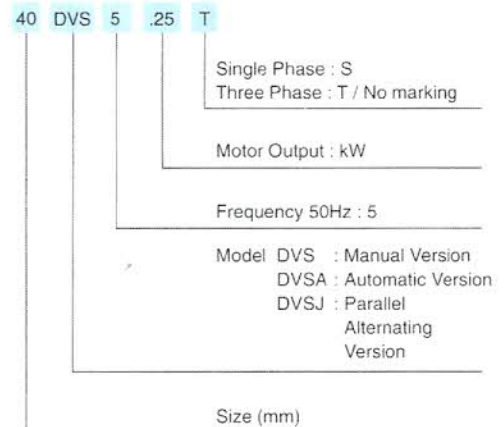


Pump			
Liquid Handled	Type of liquid	River water, Effluent	
	Temperature	0-40°C for DVS, DVSA; 0-32°C for DVSJ	
	Pump size: Max solids size	50:32mm, 65(80) : 45mm or 56mm	
Maximum Submergence		4m (0.4-1.5KW) ; 8m (2.2-3.7KW)	
Minimum Submergence		Refer to water level (L.W.L) in Dimensions. It is possible to operate at low water level for 30min.	
Synchronous Speed		3000min ⁻¹	
Construction	Mechanical Seal	Double mechanical seal	
	Impeller	Semi-Vortex	
	Bearing	Prelubricated bearing	
Material	Casing	Cast iron	
	Impeller	Cast iron	
	Shaft	403 Stainless Steel	
	Mechanical Seal	Impeller side	Silicon carbide
		Motor side	Ceramic / Carbon
	Packing	NBR	
Motor			
Type	2 pole, air-filled watertight		
Insulation	Class E or Class F		
Protection	Built in thermal protector		
Accessories			
Standard	Submersible cable: 0.4-1.5KW x 6m, 2.2-3.7KW x 10m, Float switch (for DVSA, DVSJ)		
Option	Quick discharge connector, Float switch (for DVS only)		

PERFORMANCE CHART

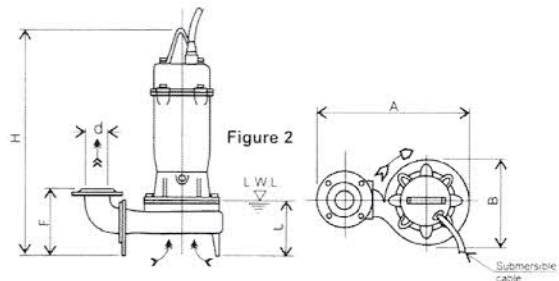
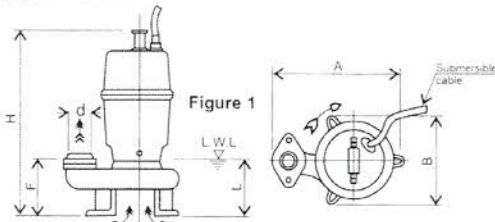


MODEL CODE



DIMENSIONS

Manual type



Unit: mm

Size d	Model	Output kW	Phase	Pump and Motor					L.W.L.	wt kg
				d	A	B	F	H		
50	50DVS5.4S	0.4	Single	PT2	239	160	82	435	105	18
	50DVS5.4T	0.4	3Ø	PT2	239	160	82	398	105	17
	50DVS5.75S	0.75	Single	PT2	249	171	82	497	105	26
	50DVS5.75T	0.75	3Ø	PT2	249	171	82	397	105	19
	50DVS1.5	1.5	3Ø	PT2	249	171	82	439	105	27
65	65DVS5.75T	0.75	3Ø	-	396	195	178	467	125	25
	65DVS1.5	1.5	3Ø	-	396	195	178	519	125	34

Size d	Model	Output kW	Phase	Pump and Motor				L.W.L.	wt kg
				A	B	F	H		
65	65DVS2.2	2.2	3Ø	427	227	201	643	155	50
	65DVS3.7	3.7	3Ø	427	227	201	643	155	59
80	80DVS5.75T	0.75	3Ø	411	195	183	467	125	26
	80DVS1.5	1.5	3Ø	411	195	183	519	125	35
	80DVS2.2	2.2	3Ø	442	227	206	643	155	51
	80DVS3.7	3.7	3Ø	442	227	206	643	155	60

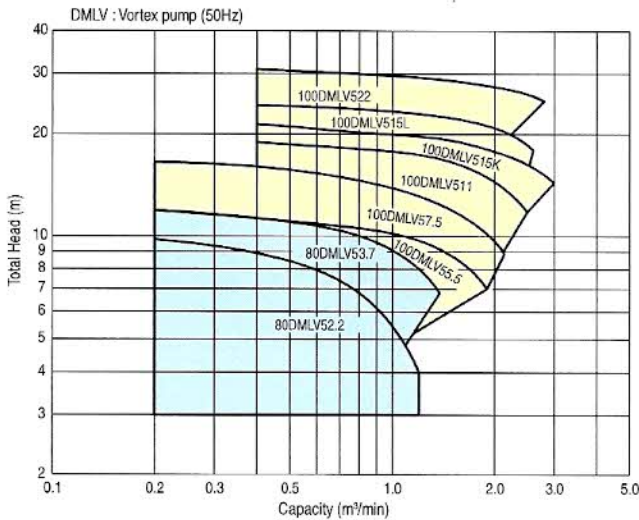
Model DMLV

SPECIFICATIONS

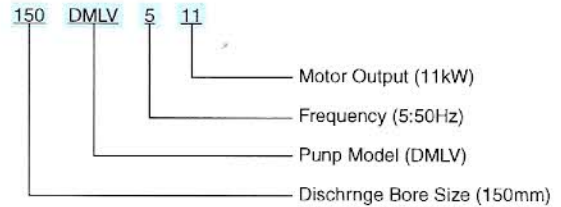


Discharge Diameter		80mm	100mm	
Power range		2.2-3.7KW	5.5-22KW	
Liquid Handled	Typ of liquid	Sewage, Wastewater		
	Temperature	0-40°C		
	Solid Passage	80mm	100mm	
Maximum Submergence		8m		
Minimum Submergence		Refer to waster level (L.W.L) in Dimensions. It is possible to operate at low water level for 30min.		
Pump	Construction	Mechanical seal		Double mechanical seal
		Impeller		Vortex type
		Bearing		Prelubricated bearing
	Material	Casing		Cast iron
		Impeller		Cast iron
		Shaft		403 Stainless steel
		Mechanical seal	Impeller side	Silicon Carbon
Motor side	Ceramic / Carbon			
Packing	NBR			
Motor	Type	4 pole, air-filled watertight		
	Frequency	50Hz		
	Voltage	Three phase, 400V		
	Insulation	Class E or Class F		
	Starting metl	2.2KW : Direct on line 3.7KW and above : Star-Delta		
	Protection	Build in overload protector (2.2KW) : Build in temperature detector protection (3.7KW)		
	Material	Flame	Cast iron	
		Shaft	403 Stainless steel	
		Cable	Power cable	PVC
	Control cable		PVC	
Accessories	Standard	Submersible cable (10m)		
	Option	Quick discharge connector, Leakage detector.		

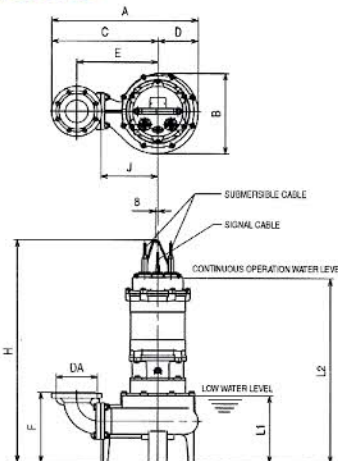
PERFORMANCE CHART



MODEL CODE



DIMENSIONS

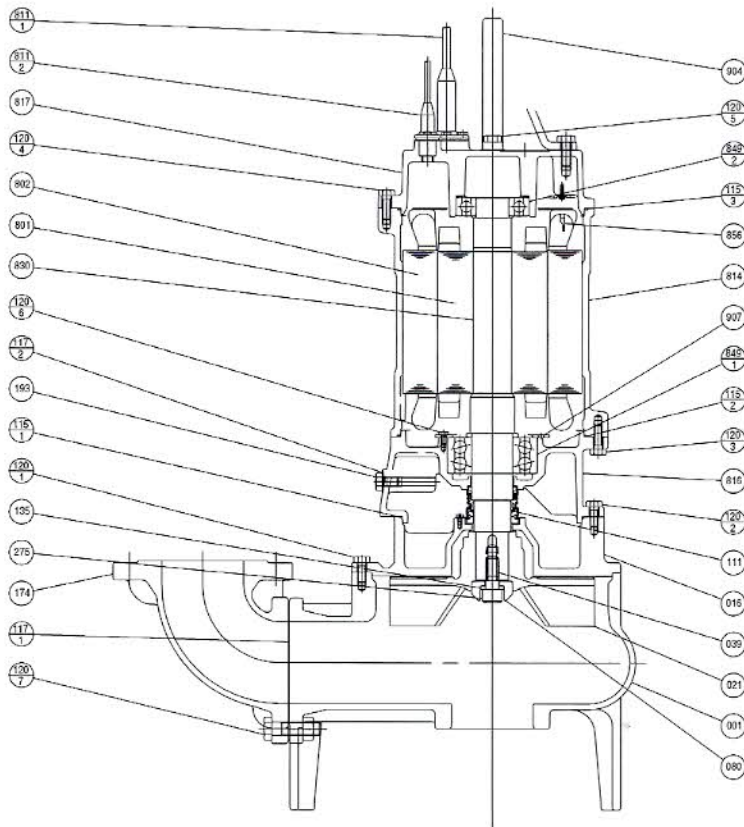


Unit : mm

MODEL	SIZE mm	FREQUENCY Hz	OUTPUT kW	PUMP & MOTOR DIMENSIONS											MASS kg
				A	B	C	D	E	F	H	J	L1	L2		
80DMLV52.2	80	50	2.2	518	285	375	143	275	254	660	200	200	560	70	
80DMLV53.7	80	50	3.7	518	285	375	143	275	254	721	200	200	620	80	
100DMLV55.5	100	50	5.5	584	308	430	154	320	305	860	215	250	760	105	
100DMLV57.5	100	50	7.5	641	352	465	176	355	305	880	250	250	760	120	
100DMLV511	100	50	11	641	352	465	176	355	305	970	250	250	810	150	
100DMLV515K	100	50	15	641	352	465	176	355	305	970	250	250	810	165	
100DMLV515L	100	50	15	728	426	515	213	405	305	970	300	250	810	180	
100DMLV522	100	50	22	728	426	515	213	405	305	1045	300	250	865	235	

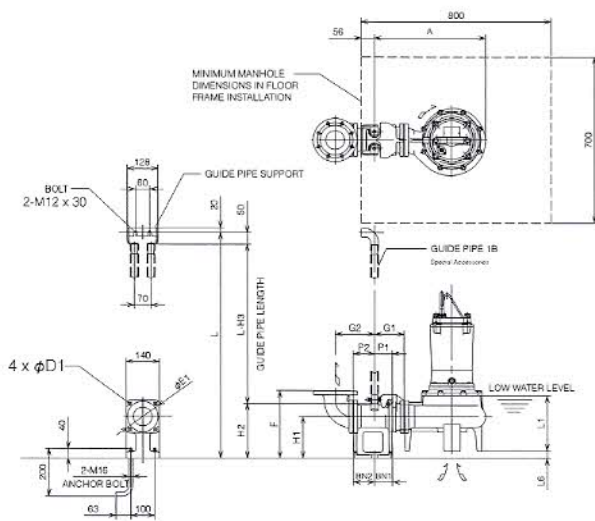
Model DMLV

SECTION DRAWING

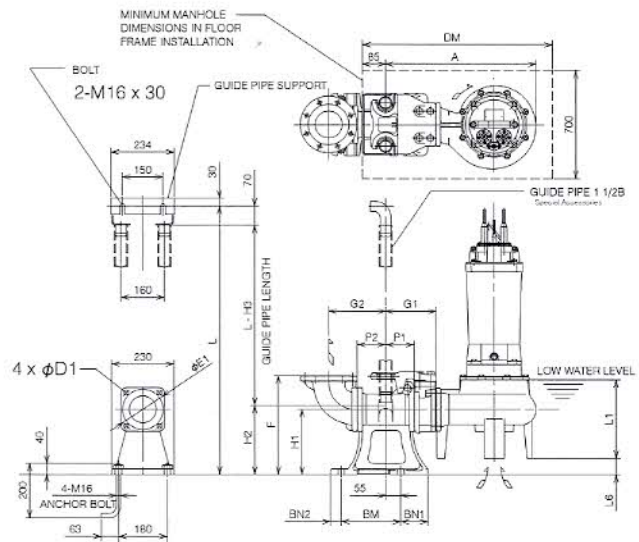


907	BEARING COVER	SPC	1	
904	LIFTING HANGER	SS400	1	
856	THERMAL PROTECTER	-	2	
849-2	BALL BEARING	-	1	
849-1	BALL BEARING	-	1	
830	SHAFT	SUS303	1	
817	OPPOSITE SIDE BRACKET	FC200	1	
816	POWER SIDE BRACKET	FC200	1	
814	MOTOR FRAME	FC200	1	
811-2	SUBMERSIBLE CABLE	-	1	SIGNAL CABLE
811-1	SUBMERSIBLE CABLE	-	2	POWER SUPPLY
802	STATOR	-	1	
801	ROTOR	-	1	
275	IMPELLER BOLT	SUS304	1	
193	OIL PLUG	SUS304	1	
174	DISCHARGE PIPE	FC200	1	
135	WASHER	SUS304	1	
120-7	BOLT	SUS304	4	
120-6	BOLT	SUS304	3	
120-5	BOLT	SUS304	2	
120-4	BOLT	SUS304	6	
120-3	BOLT	SUS304	4	
120-2	BOLT	SUS304	4	
120-1	BOLT	SUS304	8	
117-2	SEAL WASHER	NBR/304	1	
117-1	FLANGE GASKET	P#5611	1	
115-3	O-RING	NBR	1	
115-2	O-RING	NBR	1	
115-1	O-RING	NBR	1	
111	MECHANICAL SEAL	-	1	
080	BUSHING	SS	1	
039	KEY	SUS420J2	1	
021	IMPELLER	FC200#FC403	1	19W-FC200, 19W-HFC400
016	MECHANICAL SEAL COVER	FC200	1	
001	CASING	FC200	1	
No.	NAME	MATERIAL	QTY	COMMENT

QUICK DISCHARGE COUPLING DIMENSIONS



Model : 80DMLV52.2~53.7



Model : 100DMLV55.5~522

MODEL	A	P1	P2	G1	G2	F	H1	H2	H3	L1	L6	BN1	BN2	D1	E1	QDC Model	Weight
80DMLV52.2	468	75	90	125	165	285	175	230	280	200	31	75	90	15	155	LM80	17kg
80DMLV53.7	468	75	90	125	165	285	175	230	280	200	31	75	90	15	155	LM80	17kg

Units : mm unless otherwise specified

MODEL	A	P1	P2	G1	G2	F	H1	H2	H3	L1	L6	BN1	BN2	BM	DM	D1	E1	QDC Model	Weight
100DMLV55.5	554	105	105	185	210	365	240	265	335	250	60	100	40	230	800	19	175	LL100	46kg
100DMLV57.5	611	105	105	185	210	365	240	265	335	250	60	100	40	230	800	19	175	LL100	46kg
100DMLV511	611	105	105	185	210	365	240	265	335	250	60	100	40	230	800	19	175	LL100	46kg
100DMLV515K	611	105	105	185	210	365	240	265	335	250	60	100	40	230	800	19	175	LL100	46kg
100DMLV515L	698	105	105	185	210	365	240	265	335	300	60	100	40	230	1000	19	175	LL100	46kg
100DMLV522	698	105	105	185	210	365	240	265	335	300	60	100	40	230	1000	19	175	LL100	46kg

Units : mm unless otherwise specified

Model DSC4

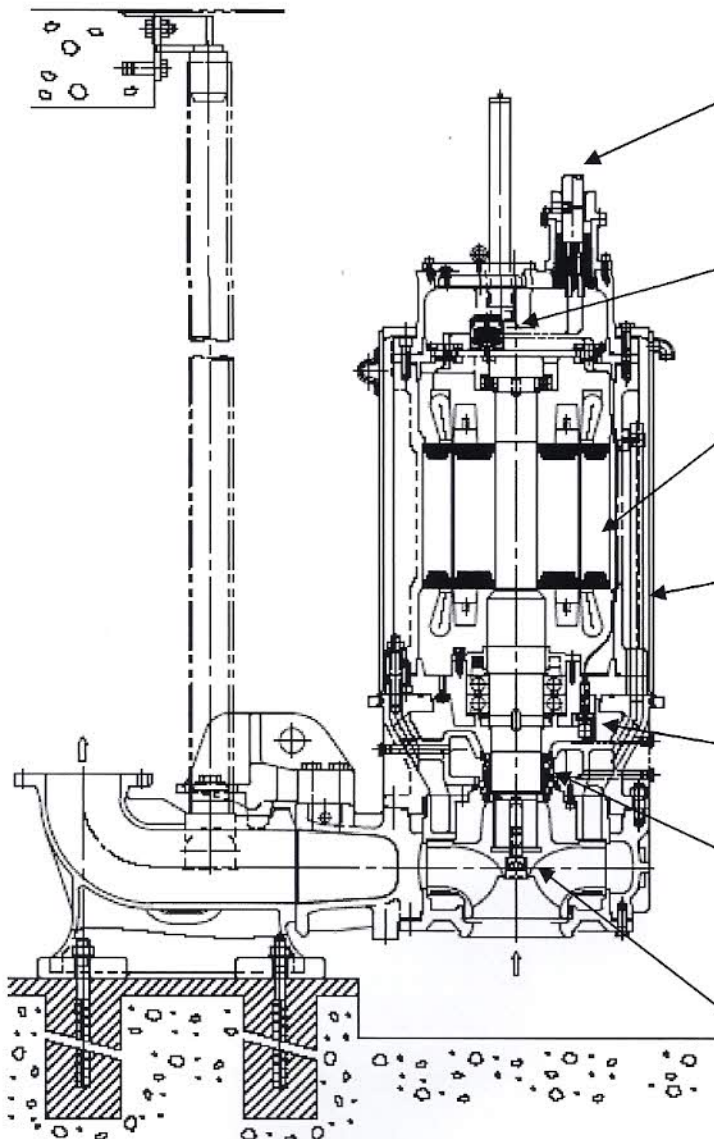
SPECIFICATIONS



Standard Specification		Option
Design	Capacity	2 - 20 m ³ /min
	Total head	5 - 50m
	Liquid temp.	0 - 40°C
	Max. submergence	35m
Construction	Impeller	Open / Close
	Shaft seal	Cartridge type duplex mechanical seals in tandem arrangement
		Upper: Carbon/Ceramic Lower: Silicon Carbide/Silicon Carbide
	Bearing	Grease lubricated ball bearing
Driver	Air filled water tight electric motor with cooling jacket	
	Starting method: D.O.L. / Star Delta	
Mounting method	Quick discharge connector(QDC) with guide pipes for wet pit installation	
Accessories	10m water tight rubber insulated flexible cable	Temp.detector for Thrust brg.
	Built-in winding temp. detectors for each phase	
	Built-in float type leakage detector	
Codes & Standards	JIS, JEC(see Note)	

Note:
 JIS: Japanese Industrial Standard
 JEC: Japanese Electrotechnical Committee

SECTION DRAWING



Watertight cable entry system assures safe operation without water leakage into terminal casing.

Terminal board provides easy connecting of cable.

High efficiency, compact designed motor with thermal detector for each phase of winding.

Self cooling system with cooling Jacket assures safe operation of motor in the air.

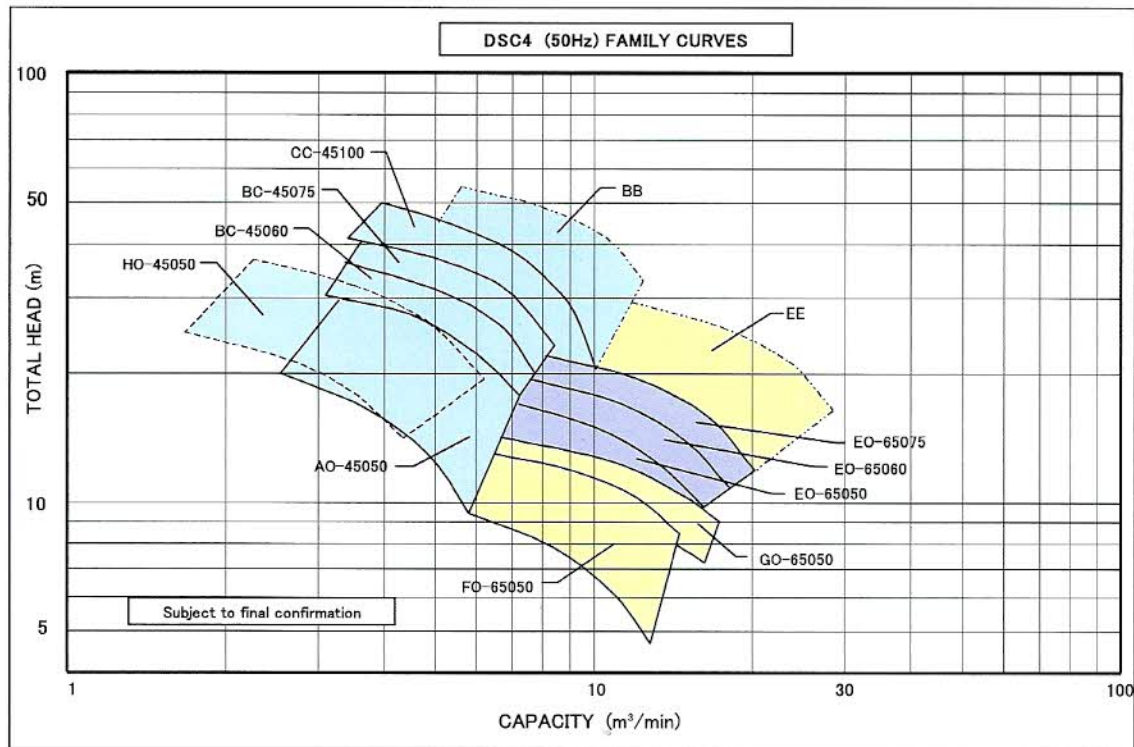
Float type leakage detector warns mechanical seal failure.

Cartridge type, duplex mechanical seals in tandem arrangement provides easy maintenance and high reliability.

High efficiency, open or close impeller accepts large solid dia.

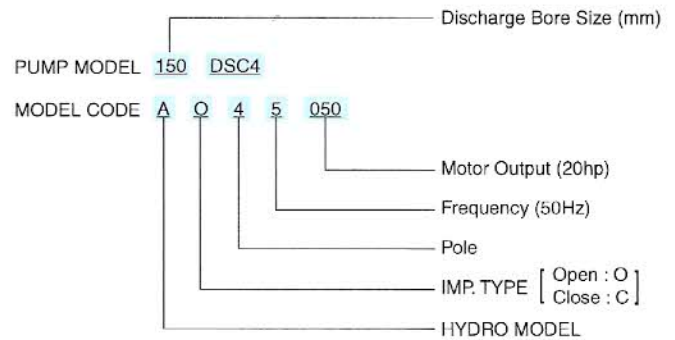
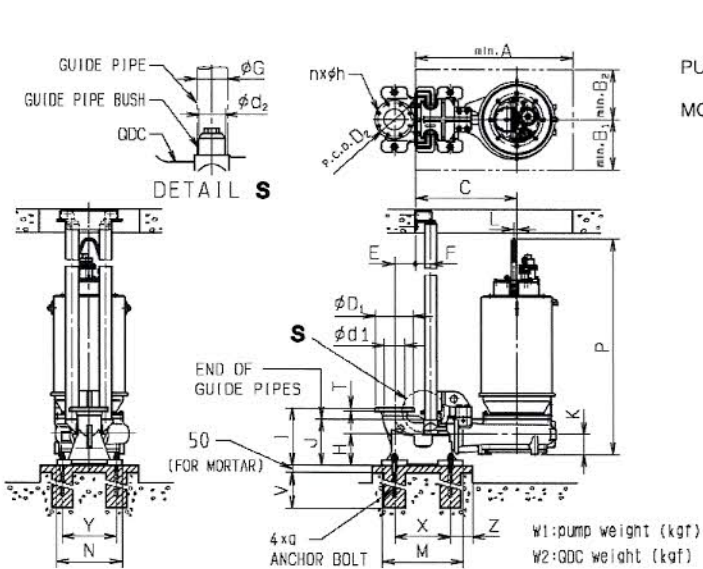
Model DSC4

PERFORMANCE CHART



QUICK DISCHARGE COUPLING DIMENSIONS

MODEL CODE



Model	HP (kW)	d1	A	B1	B2	C	E	F	G	H	I	J	K	L	M	N	P	V	X	Y	Z	q	d2	W1	W2	D1	D2	T	n	h
AO-45050	50 (37)	150	1130	360	360	730	150	110	89.1	225	415	333	145	20	580	470	1451	450	400	390	160	M24	75	810	110	279.4	241.3	25.4	8	23
BC-45075	75 (55)	150	1130	360	360	730	150	110	89.1	225	415	333	145	20	580	470	1571	450	400	390	160	M24	75	920	110	279.4	241.3	25.4	8	23
BC-45060	60 (45)	150	1130	360	360	730	150	110	89.1	225	415	333	145	20	580	470	1531	450	400	390	160	M24	75	880	110	279.4	241.3	25.4	8	23
CC-45100	100 (75)	150	1220	400	380	780	150	110	89.1	225	415	333	145	20	580	470	1642	450	400	390	160	M24	75	1040	110	279.4	241.3	25.4	8	23
EO-65075	75 (55)	250	1410	490	390	905	215	110	89.1	290	580	448	210	30	630	550	1802	450	450	470	160	M24	75	1410	170	406.4	362	30.3	12	26
EO-65060	60 (45)	250	1410	490	390	905	215	110	89.1	290	580	448	210	20	630	550	1666	450	450	470	160	M24	75	1170	170	406.4	362	30.3	12	26
EO-65050	50 (37)	250	1410	490	390	905	215	110	89.1	290	580	448	210	20	630	550	1626	450	450	470	160	M24	75	1030	170	406.4	362	30.3	12	26
FO-65050	50 (37)	300	1350	450	350	875	260	110	89.1	330	660	503	250	20	680	570	1646	450	500	490	160	M24	75	1020	230	482.6	431.8	31.8	12	26
GO-65050	50 (37)	300	1390	470	380	890	260	110	89.1	330	660	503	250	20	680	570	1646	450	500	490	160	M24	75	1020	230	482.6	431.8	31.8	12	26
HO-45050	50 (37)	150	1130	360	360	730	150	110	89.1	225	415	333	145	20	580	470	1471	450	400	390	160	M24	75	850	110	279.4	241.3	25.4	8	23

Unit : mm

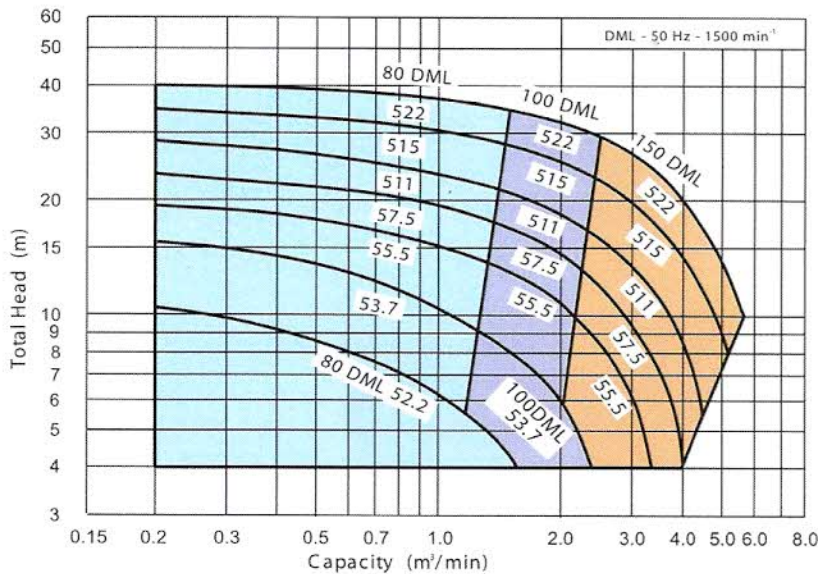
Model DML

SPECIFICATIONS

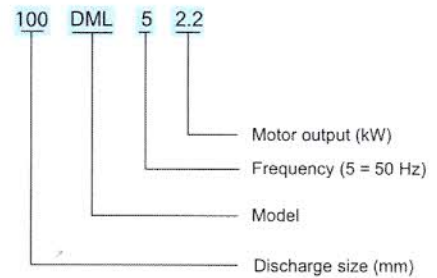


Pump			
Liquid Handled	Type of liquid	Sewage, Wastewater	
	Temperature	0-40°C	
	Max solids size	76mm	
Maximum Submergence		8m	
Minimum Submergence		Refer to water level (L.W.L) in Dimensions. It is possible to operate at low water level for 30min.	
Synchronous Speed		1500min ⁻¹	
Construction	Mechanical Seal	Double mechanical seal	
	Impeller	Single channel, non-clog	
	Bearing	Pre-lubricated bearing	
Material	Casing	Cast iron	
	Impeller	Cast iron	
	Shaft	403 Stainless Steel	
	Mechanical Seal	Impeller side	Silicon carbide
		Motor side	Ceramic / Carbon
Packing	NBR		
Motor			
Type	4 pole, air-filled watertight		
Insulation	Class E or Class F		
Protection	Built in overload protector (2.2KW); Build-in temperature detector protection (3.7-22KW)		
Accessories			
Standard	Submersible cable (10m)		
Option	Quick discharge connector, Dry pit type.		

PERFORMANCE CHART

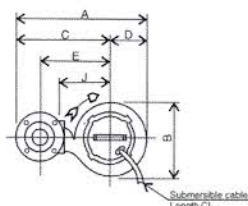
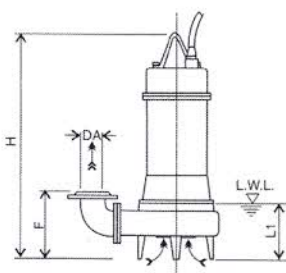


MODEL CODE



DIMENSIONS

Manual type



- Note:
- L.W.L. (Low Water Level) is limited to 10 minutes operation at low water level.
 - Is limited to 30 minutes operation with water level below top of motor.

Size	Model	Output kW	A	B	C	D	E	F	H	J	L1	CL	Weight
80	80 DML 52.2	2.2	534	320	378	157	285	298	668	210	279	10 m	80 kg
	80 DML 53.7	3.7	534	320	378	157	285	298	727	210	279	10 m	87 kg
	80 DML 55.5	5.5	640	381	453	188	360	334	824	255	310	10 m	118 kg
	80 DML 57.5	7.5	640	381	453	188	360	334	824	255	310	10 m	123 kg
	80 DML 511	11	734	455	513	221	420	350	938	315	329	10 m	157 kg
	80 DML 515	15	734	455	513	221	420	350	938	315	329	10 m	163 kg
100	80 DML 522	2.2	777	497	533	245	440	363	1021	335	332	10 m	223 kg
	100 DML 52.2	2.2	534	320	378	157	285	298	668	210	279	10 m	80 kg
	100 DML 53.7	3.7	577	320	420	157	315	313	727	210	279	10 m	89 kg
	100 DML 55.5	5.5	653	381	465	188	360	334	824	255	310	10 m	121 kg
	100 DML 57.5	7.5	653	381	465	188	360	334	824	255	310	10 m	125 kg
	100 DML 511	11	746	455	525	221	420	350	938	315	329	10 m	160 kg
150	100 DML 515	15	746	455	525	221	420	350	938	315	329	10 m	166 kg
	100 DML 522	2.2	790	497	545	245	440	363	1021	335	332	10 m	226 kg
	150 DML 55.5	5.5	713	381	525	188	385	369	824	255	310	10 m	127 kg
	150 DML 57.5	7.5	713	381	525	188	385	369	824	255	310	10 m	132 kg
	150 DML 511	11	806	455	585	221	445	385	938	315	329	10 m	166 kg
	150 DML 515	15	806	455	585	221	445	385	938	315	329	10 m	172 kg
	150 DML 522	2.2	850	497	605	245	465	398	1021	335	332	10 m	232 kg

Units: mm unless otherwise specified

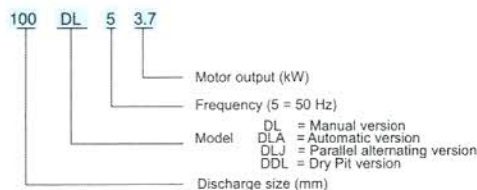
Model DL

SPECIFICATIONS

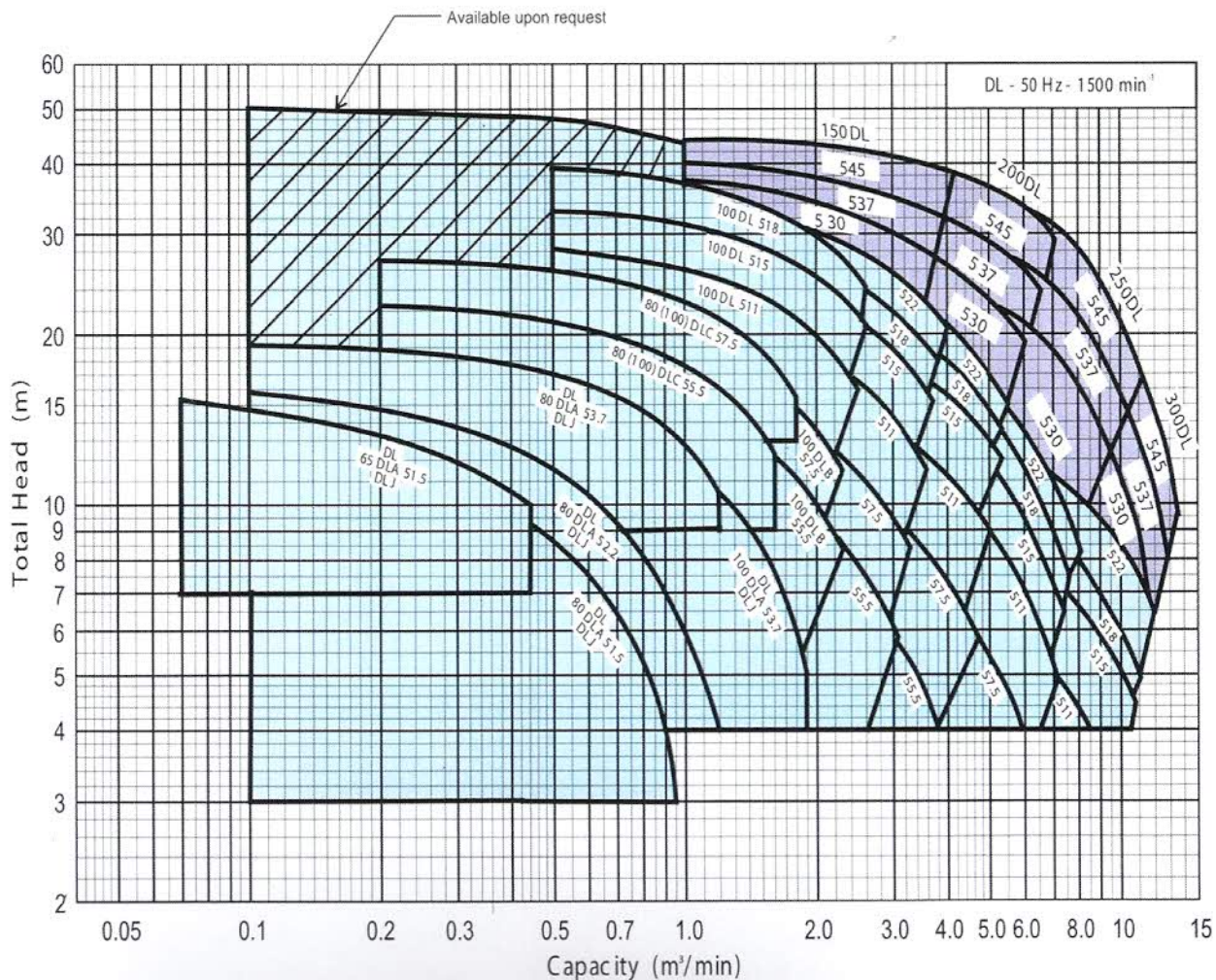


	Standard	Option
Scope	Discharge	65 - 300mm
	Motor Power	1.5 - 45KW (3 phase)
	Performance	Capacity : 0.07 - 12m ³ /min Head : 3 - 52m
Liquid	Type	Sewage
	Maximum Temperature	40°C (Manual and A Type) 32°C (J' Type)
	Submergence	8m (Max)
	Impeller	Non-clog type
Construction	Mechanical Seal	Oil lubricated, double mechanical seal (single spring 3.7KW) (tandem spring 5.5 - 45KW)
	Casing	Cast iron
Material	Impeller	Cast iron
	Suction Cover	Cast iron
	Shaft	403 Stainless Steel
	Motor Frame	Cast iron
	Fasteners	304 Stainless Steel
	Mechanical Seal	Upper Facas : Carbon / Ceramic Lower Facas : Silicon Carbide / Silicon Carbide Lubricating Oil: Turbine Oil VG32 (SAE 10W/20W)
	Others	Air filled dry submersible, IP68, Class E or Class F insulation
Motor	Type	4 pole 1500min ⁻¹
	Synchronous Speed	380/400/415 volts 3 phase 50Hz
	Applicable Voltages	DOL (up to 7.5KW) Star-Delta (11 - 45KW)
	Protection	In built overload protection (up to 7.5KW) Miniature thermal protector (11 - 45KW)
	Bearings	Pre lubricated sealed ball bearings
	Length	10m
Cable	Flange	Discharge elbow
Accessories	Others	Quick Discharge connector (QDC)

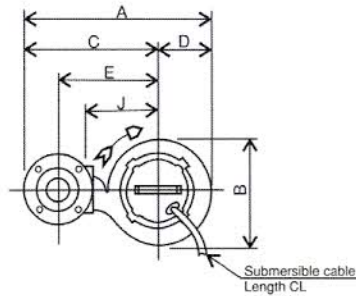
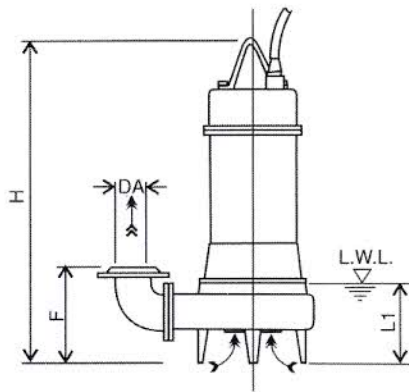
MODEL CODE



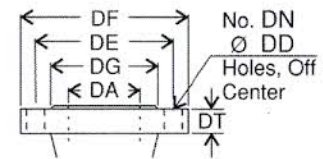
PERFORMANCE CHART



Dimensions - DL (MANUAL WET PIT MODEL)



Discharge Flange Dimensions
(JIS 10kg/cm²)



DA	DE	DF	DG	DT	DN	DD
65	150	175	116	18	4	15
80	150	185	126	18	4	15
100	175	210	151	20	8	15
150	240	280	212	22	8	19
200	290	330	262	26	12	23
250	355	400	324	30	12	25
300	400	445	368	32	16	25

- Note:
- 1/. L.W.L (Low Water Level) is limited to 10 minutes operation at low water level.
 - 2/. Is limited to 30 minutes operation with water level below top of motor.

Size DA	Model	Output kW	A	B	C	D	E	F	H	J	L1	CL	Weight
65	65 DL 51.5	1.5	497	291	353	144	265	200	576	200	140	10 m	52 kg
	80 DL 51.5	1.5	524	292	378	146	285	220	597	210	165	10 m	55 kg
80	80 DL 52.2	2.2	542	308	388	154	295	220	654	220	165	10 m	67 kg
	80 DL 53.7	3.7	567	328	403	164	310	220	687	235	165	10 m	75 kg
	80 DLC 55.5	5.5	618	379	428	190	335	307	753	260	205	10 m	134 kg
	80 DLC 57.5	7.5	648	399	448	200	355	305	751	280	205	10 m	148 kg
	100 DL 53.7	3.7	614	335	445	169	340	250	706	235	185	10 m	79 kg
100	100 DLB 55.5	5.5	646	369	460	186	355	323	768	250	205	10 m	123 kg
	100 DLC 55.5	5.5	660	379	470	190	365	322	753	260	205	10 m	134 kg
	100 DLB 57.5	7.5	673	385	480	193	375	323	760	270	205	10 m	141 kg
	100 DLC 57.5	7.5	690	399	490	200	385	320	751	280	205	10 m	148 kg
	100 DL 511	11	701	402	500	201	395	323	859	290	205	10 m	180 kg
	100 DL 515	15	741	441	520	221	415	330	954	310	205	10m	230 kg
	100 DL 518	18.5	741	441	520	221	415	330	958	310	205	10 m	285 kg
150	150 DL 55.5	5.5	750	398	550	200	410	381	799	280	245	10 m	146 kg
	150 DL 57.5	7.5	780	418	570	210	430	377	784	300	245	10 m	158 kg
	150 DL 511	11	810	438	590	220	450	377	883	320	245	10 m	199 kg
	150 DL 515	15	810	438	590	220	450	377	972	320	245	10 m	237 kg
	150 DL 518	18.5	848	476	610	238	470	381	979	340	245	10 m	300 kg
	150 DL 522	22	848	476	610	238	470	381	979	340	245	10 m	325 kg
	150 DL 530	30	912	520	650	262	510	468	1284	360	1080	10 m	350 kg
	150 DL 537	37	912	520	650	262	510	468	1404	360	1135	10 m	350 kg
200	150 DL 545	45	912	520	650	262	510	468	1404	360	1135	10 m	350 kg
	200 DL 55.5	5.5	832	430	615	217	450	414	826	300	285	10 m	160 kg
	200 DL 57.5	7.5	863	453	635	228	470	410	809	320	285	10 m	176 kg
	200 DL 511	11	863	453	635	228	470	410	908	320	285	10 m	212 kg
	200 DL 515	15	896	479	655	241	490	411	995	340	285	10 m	260 kg
	200 DL 518	18.5	932	512	675	257	510	415	1001	360	285	10 m	305 kg
	200 DL 522	22	932	512	675	257	510	415	1001	360	285	10 m	330 kg
	200 DL 530	30	937	520	675	262	510	483	1284	360	1080	10 m	350 kg
250	200 DL 537	37	937	520	675	262	510	483	1404	360	1135	10m	370 kg
	200 DL 545	45	937	520	675	262	510	483	1404	360	1135	10 m	370 kg
	250 DL 57.5	7.5	969	525	700	269	500	622	904	370	400	10 m	260 kg
	250 DL 511	11	993	541	720	273	520	634	1000	390	400	10 m	320 kg
	250 DL 515	15	1007	549	730	277	530	646	1086	400	400	10 m	380 kg
	250 DL 518	18.5	1007	549	730	277	530	646	1089	400	400	10 m	420 kg
	250 DL 522	22	1007	549	730	277	530	646	1089	400	400	10 m	440 kg
	250 DL 530	30	1125	660	790	335	590	706	1336	460	1132	10 m	458 kg
300	250 DL 537	37	1125	660	790	335	590	706	1475	460	1206	10 m	522 kg
	250 DL 545	45	1125	660	790	335	590	706	1475	460	1206	10 m	540 kg
	300 DL 511	11	1100	588	798	302	575	671	1050	420	450	10 m	365 kg
	300 DL 515	15	1100	588	798	302	575	671	1131	420	450	10 m	395 kg
	300 DL 518	18.5	1135	618	818	317	595	668	1131	440	450	10 m	440 kg
	300 DL 522	22	1135	618	818	317	595	668	1131	440	450	10 m	465 kg
300	300 DL 530	30	1172	660	838	335	615	726	1336	460	1132	10 m	458 kg
	300 DL 537	37	1172	660	838	335	615	726	1475	460	1206	10 m	522 kg
	300 DL 545	45	1172	660	838	335	615	726	1475	460	1206	10 m	540 kg

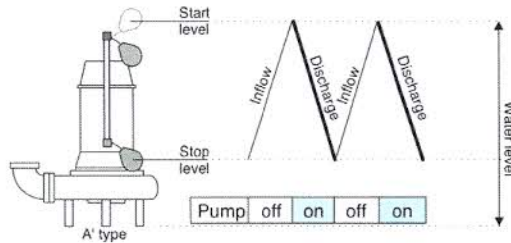
Units: mm unless otherwise specified

AUTOMATIC OPERATION (A' & J' TYPE)

All models up to 3.7kW are available as automatic (A' type) or parallel alternating (J' type) pumps with inbuilt control devices and float switches. There is no need for an external control panel, and operation can begin as soon as the pumps are installed and connected to a power source.

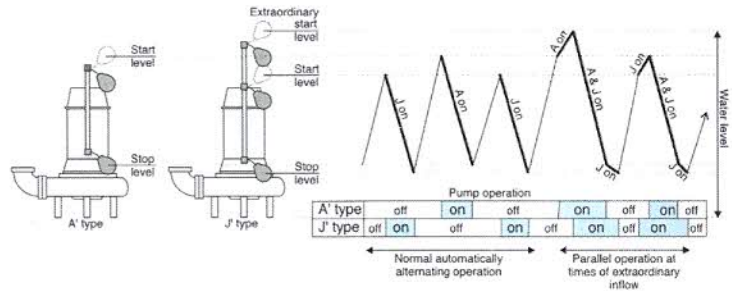
SINGLE PUMP INSTALLATION (A' TYPE)

A single automatic (A' type) pump is installed in the sump. The pump automatically start when the water level in the sump reaches the "start level", and stop when the pump has lowered the water level to the "stop level".



DUPLEX PUMP INSTALLATION (A' & J' TYPE)

Two pumps, one A' type and one J' type are installed in the sump. In normal operating conditions, operation alternates between the two pumps. In times of extraordinary inflow (inflow is greater than the capacity of a single pump), then the two pumps will operate together in parallel operation.



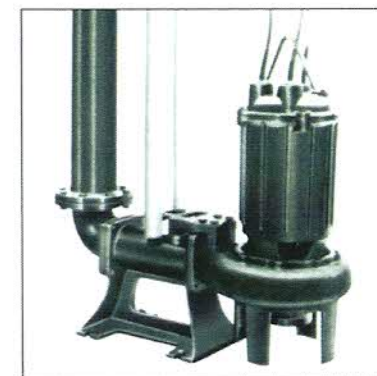
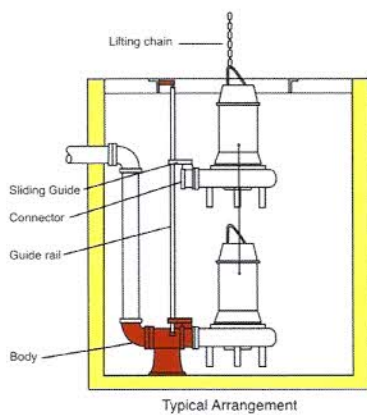
FLOAT SWITCH

FLOAT SWITCH	
Model	EF-4
Temperature	0~50°C
Function of contact	Up = ON Down = OFF
Voltage	AC 24V DC 24 V
Max Current	AC 0.5A DC 0.5A
Contact Capacity	AC 12VA DC 12VA
Lead Wire	2x0.2mm ² x6m



QUICK DISCHARGE CONNECTION (QDC)

An optional quick discharge connector is available to suit all Ebara D'Series submersible pumps, allowing easy removal and replacement of the pumps for maintenance purposes without having to enter the sump.



EBARA Pump with QDC - Typical Arrangement

Note: All specifications subject to change without prior notice.



EBARA CORPORATION

Standard Pump Business Division

Website : <http://www.ebara.co.jp>