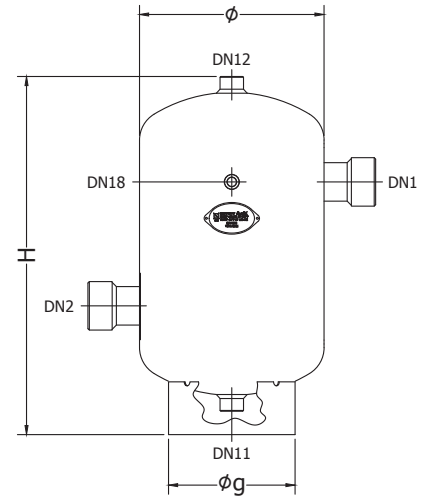




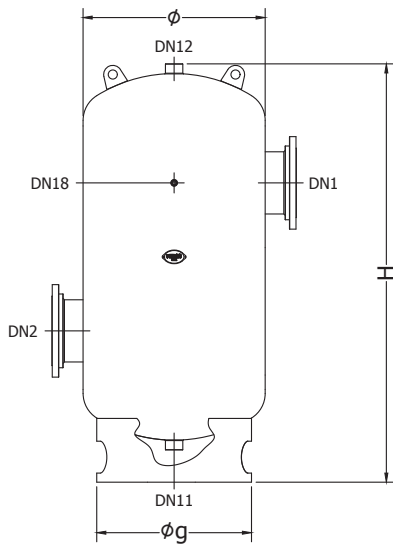
# AS - ASME AIR SEPARATORS

SEPARATORI D'ARIA CENTRIFUGHI (CON O SENZA FILTRO)

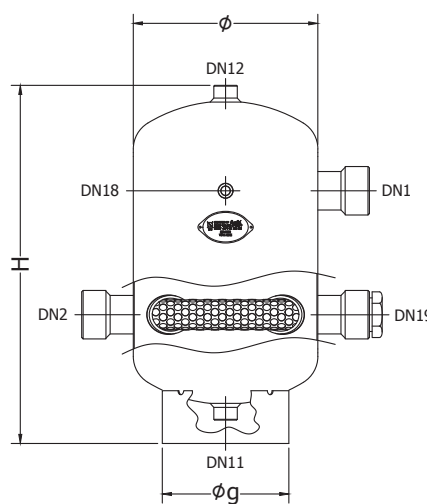
## ASL 020T - 025T



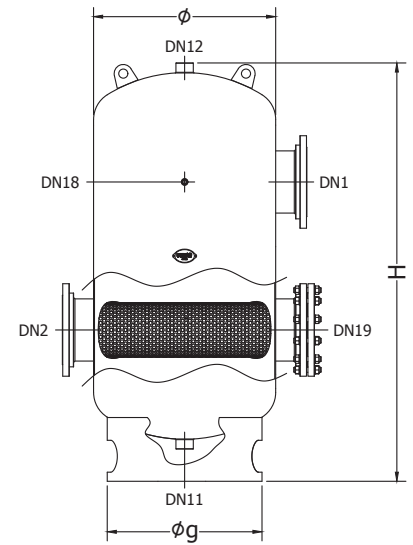
## ASL 030 - 240



## ASW 020T - 025T



## ASW 030 - 240



Approvazione ASME U

Approvazione ASME UM



Per impianti di riscaldamento



Per impianti di condizionamento

### Caratteristiche:

- Temperatura di esercizio: -29° / +190°C
- Verniciatura a solvente, colore grigio

### Perdite di carico

Consultare i diagrammi a pagina 253.

### Normativa di riferimento

- ASME (American Society of Mechanical Engineers), stamp U e UM

**GARANZIA: 2 ANNI**

MODELLO	CODICE	Cap.	Cap.	Pmax	Pmax	Tmax	Tmax	Diam.	Diam.	H	H	L	L	DN1/ DN2	DN 19	DN 11/12	DN 18	A		B		C	
		gal.	Lt.	PSI	bar	°F	°C	in.	mm	in.	mm	in.	mm	in.	mm	in.	mm	in.	mm	in.	mm	in.	mm
ASL 020T	ADI4L33	12	45	150	10	375	190	13.8	350	26.8	680	23.2	590	2"	/	1"	1/2"	9.6	245	18.9	480	4.7	120
ASL 025T	ADJ4L33	12	45	150	10	375	190	13.8	350	26.8	680	21.5	545	2"1/2	/	1"	1/2"	9.6	245	18.9	480	4.7	120
ASL 030	ADK4L33	12	45	150	10	375	190	13.8	350	26.8	680	24.4	620	3"	/	1"	1/2"	9.6	245	18.9	480	4.7	120
ASL 040	ADM4L37	23	86	150	10	375	190	15.7	400	37.2	945	26.8	680	4"	/	1"1/2	1/2"	15.6	395	26.8	680	5.1	130
ASL 050	ADN4L37	23	86	150	10	375	190	15.7	400	37.2	945	27.8	705	5"	/	1"1/2	1/2"	14.4	365	27.8	705	3.9	100
ASL 060	ADO4J47	50	189	125	8,5	375	190	19.7	500	53.5	1360	34.3	870	6"	/	1"1/2	1/2"	21.9	555	38.4	975	5.9	150
ASL 080	ADP4J47	50	189	125	8,5	375	190	19.7	500	53.5	1360	38.6	980	8"	/	1"1/2	1/2"	22.6	575	37.8	960	4.7	120
ASL 100	ADQ4J58	189	715	125	8,5	375	190	31.5	800	76.4	1940	50.8	1290	10"	/	2"	1/2"	28.3	720	53.5	1360	9.4	240
ASL 120	ADR4J58	189	715	125	8,5	375	190	31.5	800	76.4	1940	51.6	1310	12"	/	2"	1/2"	28.5	725	53.3	1355	8.3	210
ASL 140	ADS4J64	330	1249	125	8,5	375	190	37.4	950	92.7	2355	56.9	1445	14"	/	2"	1/2"	35.2	895	66.3	1685	10.6	270
ASL 160	ADT4J72	666	2521	125	8,5	375	190	49.2	1250	112.6	2860	69.1	1755	16"	/	2"	1/2"	42.9	1090	81.1	2060	12	305
ASL 180	ADU4J77	1179	4463	125	8,5	375	190	55.1	1400	120.5	3060	78.7	2000	18"	/	2"	1/2"	41.5	1055	86.0	2185	14.2	360
ASL 200	ADV4J84	1507	5705	125	8,5	375	190	61.0	1550	124.2	3155	84.3	2140	20"	/	2"1/2	1/2"	45.1	1145	86.0	2185	16.5	420
ASL 240	ADW4J92	2253	8530	125	8,5	375	190	65.0	1650	165	4190	85.0	2160	24"	/	2"1/2	1/2"	57.1	1450	143.7	3650	15.7	400
ASW 020T	AEI4L33	12	45	150	10	375	190	13.8	350	26.8	680	24.4	620	2"	2"	1"	1/2"	9.6	245	18.9	480	4.7	120
ASW 025T	A EJ4L33	12	45	150	10	375	190	13.8	350	26.8	680	22.6	575	2"1/2	2"1/2	1"	1/2"	9.6	245	18.9	480	4.7	120
ASW 030	AEK4L33	12	45	150	10	375	190	13.8	350	26.8	680	25.6	650	3"	3"	1"	1/2"	9.6	245	18.9	480	4.7	120
ASW 040	AEM4L37	23	86	150	10	375	190	15.7	400	37.2	945	28.0	710	4"	4"	1"1/2	1/2"	15.6	395	26.8	680	5.1	130
ASW 050	AEN4L37	23	86	150	10	375	190	15.7	400	37.2	945	28.9	735	5"	5"	1"1/2	1/2"	14.4	365	27.8	705	3.9	100
ASW 060	AEO4J47	50	189	125	8,5	375	190	19.7	500	53.5	1360	35.4	900	6"	6"	1"1/2	1/2"	21.9	555	38.4	975	5.9	150
ASW 080	AEP4J47	50	189	125	8,5	375	190	19.7	500	53.5	1360	40.0	1015	8"	8"	1"1/2	1/2"	22.6	575	37.8	960	4.7	120
ASW 100	AEQ4J58	189	715	125	8,5	375	190	31.5	800	76.4	1940	52.2	1325	10"	10"	2"	1/2"	28.3	720	53.5	1360	9.4	240
ASW 120	AER4J58	189	715	125	8,5	375	190	31.5	800	76.4	1940	53.1	1350	12"	12"	2"	1/2"	28.5	725	53.3	1355	8.3	210
ASW 140	AES4J64	330	1249	125	8,5	375	190	37.4	950	92.7	2355	58.5	1485	14"	14"	2"	1/2"	35.2	895	66.3	1685	10.6	270
ASW 160	AET4J72	666	2521	125	8,5	375	190	49.2	1250	112.6	2860	70.9	1800	16"	16"	2"	1/2"	42.9	1090	81.1	2060	12	305
ASW 180	AEU4J77	1179	4463	125	8,5	375	190	55.1	1400	120.5	3060	80.5	2045	18"	18"	2"	1/2"	41.5	1055	86.0	2185	14.2	360
ASW 200	AEV4J84	1507	5705	125	8,5	375	190	61.0	1550	124.2	3155	86.2	2190	20"	20"	2"1/2	1/2"	45.1	1145	86.0	2185	16.5	420
ASW 240	AEW4J92	2253	8530	125	8,5	375	190	65.0	1650	165	4190	87.2	2215	24"	24"	2"1/2	1/2"	57.1	1450	143.7	3650	15.7	400

**Quotazione su richiesta**

